

FEATURED ALUM-A-LIFT PRECISION INSTALLATION LIFT WITH ARTICULATED ARM

PROJECT 34196



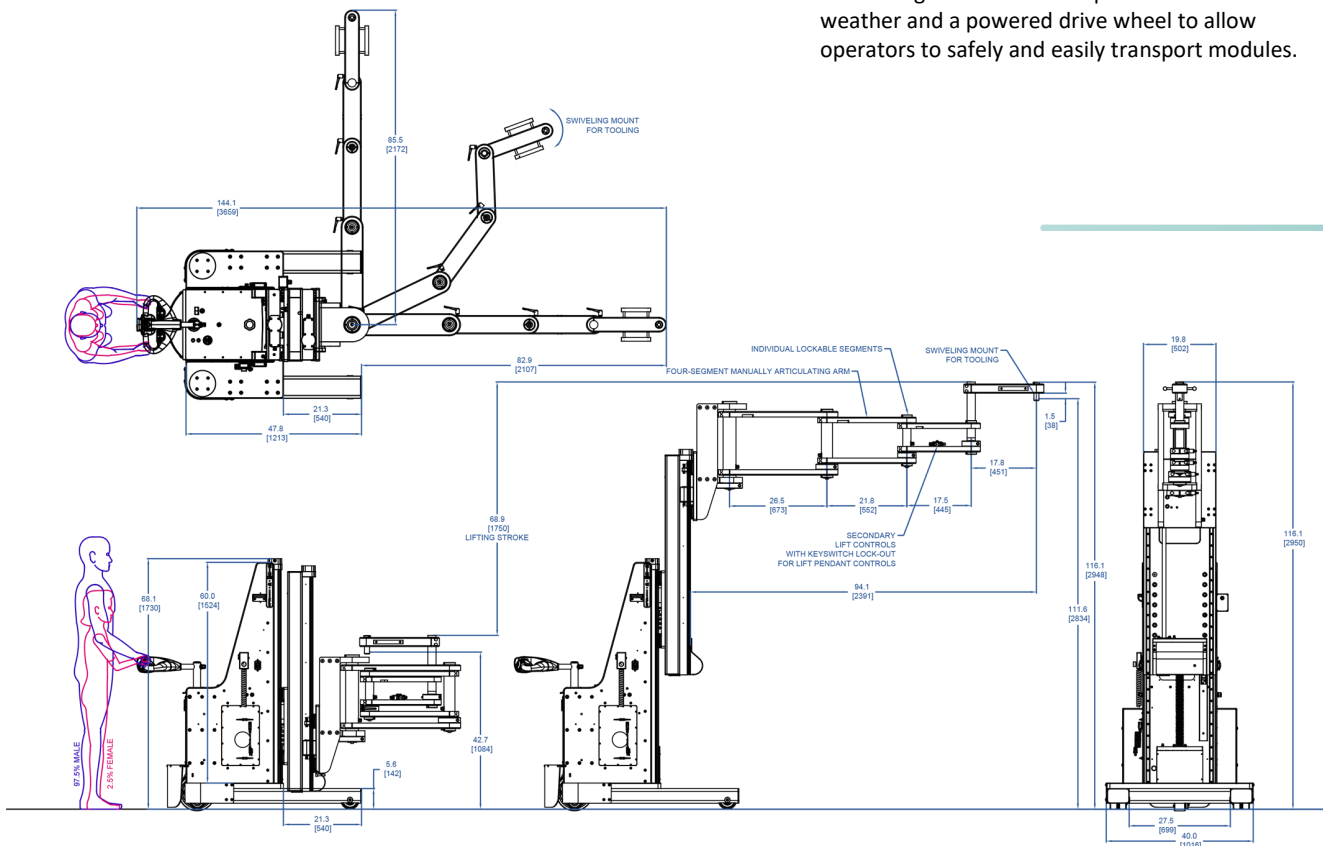
MODEL A2500CSLRPDT-60/60

FEATURING Articulated Arm, Interchangeable Tooling, Powered Drive Wheel, Telescoping Mast, Waterproof (IP65)

HANDLING 220 lb [100 kg] Modules

DETAILS An eVTOL, or electric vertical take-off and landing aircraft, uses multiple electric motors to generate lift and propulsion. These electric motors require batteries, control, and power distribution modules. Our precision installation lift features powered lifting, a two-stage telescoping mast and a four-segment articulated arm to enable loading of modules through multiple sections of an eVTOL aircraft. Interchangeable tooling is also included to interface with modules using ball lock pins through mounting brackets.

Since the installation process can take place outdoors, Alum-a-Lift optimized the design with an IP65 rating for occasional exposure to the wet weather and a powered drive wheel to allow operators to safely and easily transport modules.



alum-a-lift

13941 Veterans Memorial Hwy
Winston, GA 30187 USA
+1 770 489 0328

GET STARTED AT ALUM-A-LIFT.COM