

# FEATURED ALUM-A-LIFT SILICON FEEDER LIFT FOR CRYSTAL GROWING SYSTEMS

## PROJECT 32119

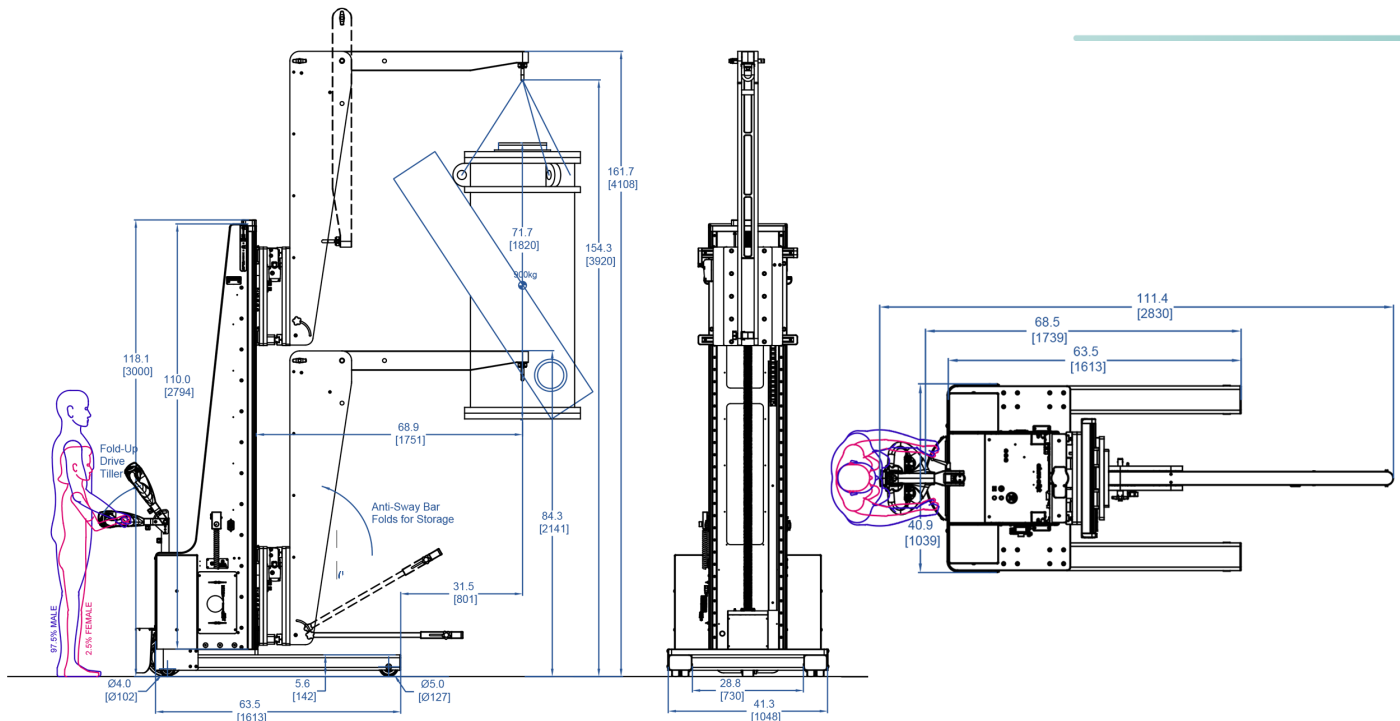


**MODEL** A4000CSLRPD-110

**FEATURING** Folding Boom, Powered Lateral Shuttle, Powered Wheel Drive, Load Height Sensing

**HANDLING** 1984 lb [900 kg] Feeder Assembly

**DETAILS** A leading provider of semiconductor manufacturing equipment requested a silicon feeder lift for recharging their crystal growing systems that create high-quality crystals widely used in electronic applications. This featured lift is equipped with a powered lateral shuttle module and high/low drive-speed safety that changes the speed mode depending upon elevation of load, so an operator can safely position the feeder above the growth chamber for proper operation. Once the feeding process is complete, the feeder is retracted, and taken back to be refilled with silicon and readied to feed another grower. The same feeder is used on multiple crystal growers, keeping this Alum-a-Lift in continuous operation, increasing output and lowering production costs.



**alum-a-lift**

13941 Veterans Memorial Hwy  
Winston, GA 30187 USA  
+1 770 489 0328

GET STARTED AT [ALUM-A-LIFT.COM](http://ALUM-A-LIFT.COM)