

# FEATURED ALUM-A-LIFT ARTICULATING ARM BATTERY FORK SET LIFT

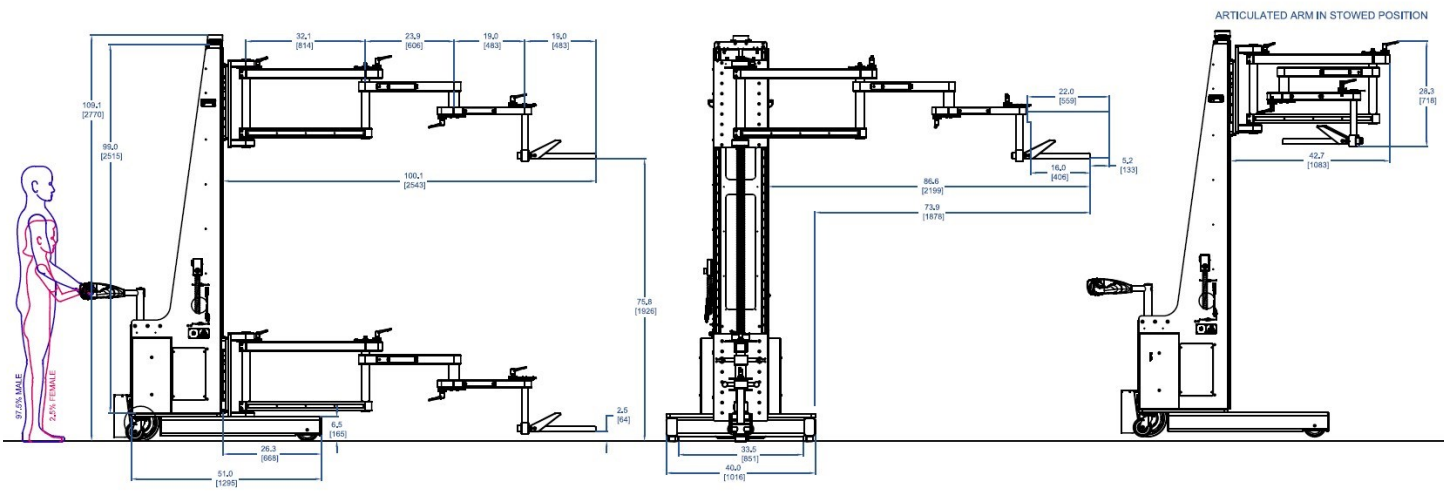
## PROJECT 32547

**MODEL** A1500CSLRPD-96

**FEATURING** 4-Segment Articulating Arm, Battery Fork Set, On-Arm Controls, Powered Drive Unit

**HANDLING** 132 lb [60 kg] Batteries

**DETAILS** This Alum-a-lift was specifically engineered for a Global Service Provider to facilitate the loading of backup power batteries into a communications infrastructure. Its ergonomic design includes a four-segment articulating arm and a specialized fork assembly, enabling the lift to access elevated enclosures. This feature empowers operators to effortlessly adjust the battery position and height from the exterior. Additionally, this customized ergonomically designed tool for material handling incorporates a cradling fork mechanism, ensuring optimal stability for batteries with a high center of mass.



**alum-a-lift**

13941 Veterans Memorial Hwy  
Winston, GA 30187 USA  
+1 770 489 0328

GET STARTED AT [ALUM-A-LIFT.COM](http://ALUM-A-LIFT.COM)