

FEATURED ALUM-A-LIFT MULTI-PURPOSE CLEANROOM LIFT WITH INDEXABLE FORKS

PROJECT 33325

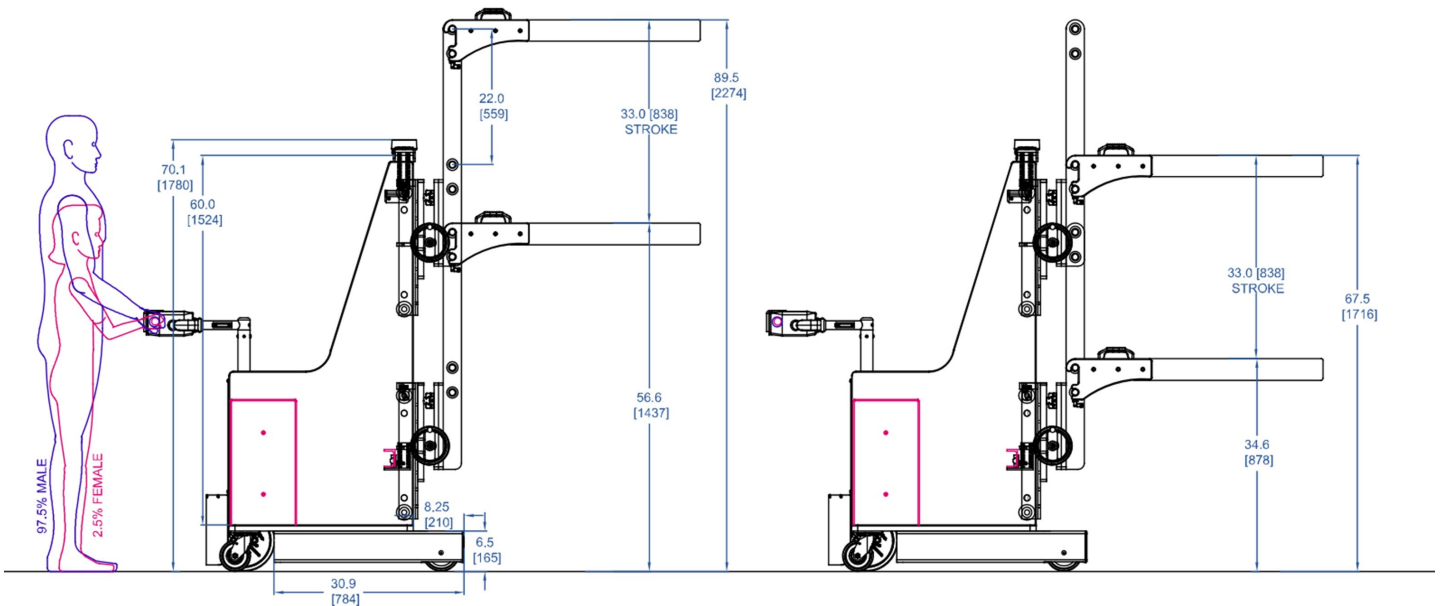


MODEL C1500CRCSPD-60

FEATURING Independent Indexable Booms, Custom Mounting Hole Pattern on Fork Arm, Lateral Shuttle, Powered Drive, Cleanroom Compatible

HANDLING 800 lb [363 kg] Various Components

DETAILS This Alum-a-Lift was designed to perform several lifting tasks in an ISO 7 (Class 10,000) cleanroom, eliminating the need for multiple lifting tools. This lift features independent fork arms with custom mounting hole patterns to accommodate each component it must handle. Its lateral shuttle (side shift) module enables effortless alignment and positioning. Notably, the forks can be removed and installed in different mounting positions, enabling two different ranges of liftings heights in a single device.



FORKS INSTALLED IN "HIGH" POSITION

FORKS INSTALLED IN "LOW" POSITION