

FEATURED ALUM-A-LIFT PORTABLE ELECTRIC MULTI-AXIS WORK POSITIONER

PROJECT 32395

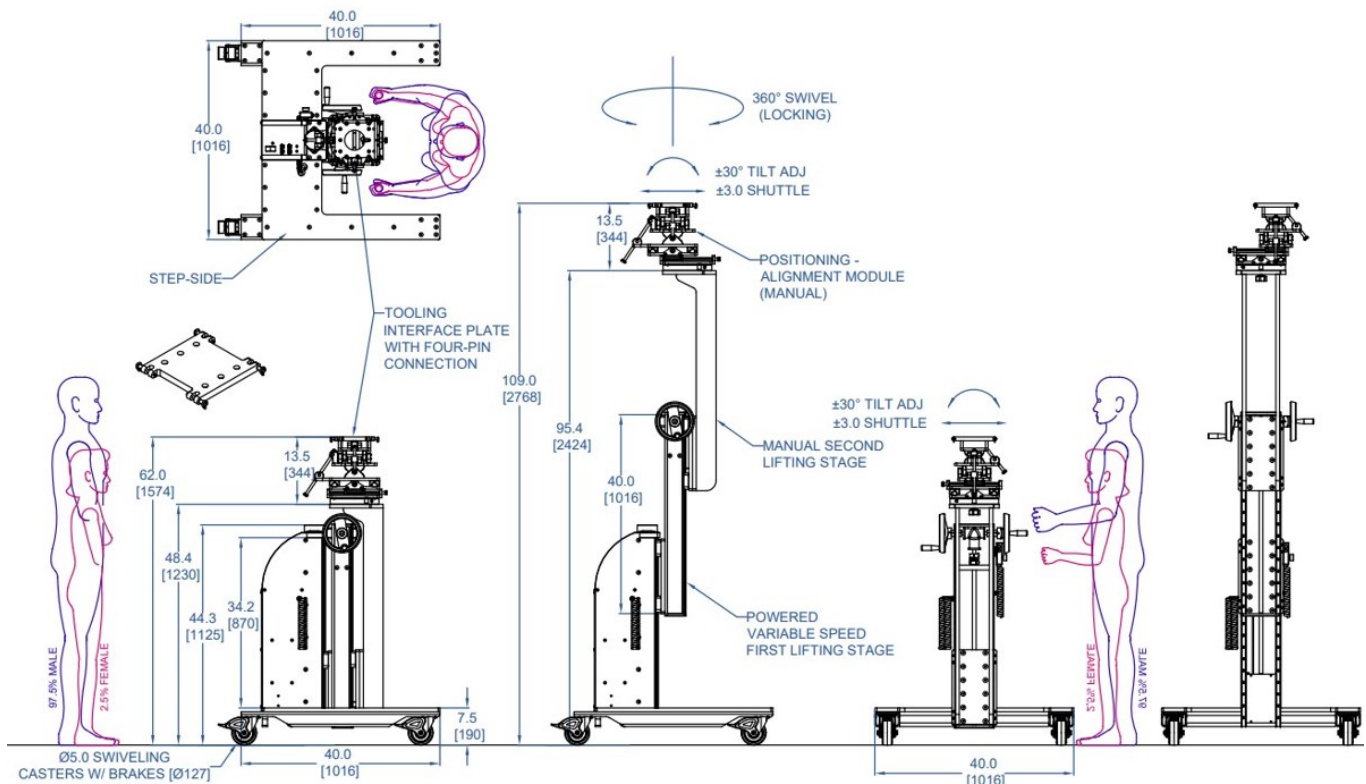


MODEL A800CLR-40/40

FEATURING Telescoping Mast, Hand Wheel Adjustable 6 DOF Manipulator, Non-Slip Base, Manual Height Adjust

HANDLING 300 lb [136 kg] Aircraft Components

DETAILS Assembling and servicing aircraft often involves positioning heavy, highly specialized components from the underside of the airframe. This Alum-a-Lift ergonomic work positioner features a dual stage lifting mast that can retract to maneuver under obstacles before raising to full height. The manipulator assembly atop this lift enables fine precision adjustments in 6 degrees-of-freedom, including translation and rotation about three axes. This work positioner can safely hold its full rated load in any orientation indefinitely without consuming power or requiring any external inputs.



alum-a-lift

13941 Veterans Memorial Hwy
Winston, GA 30187 USA
+1 770 489 0328

GET STARTED AT ALUM-A-LIFT.COM