

FEATURED ALUM-A-LIFT ELECTRICAL TEST ASSEMBLY HOIST

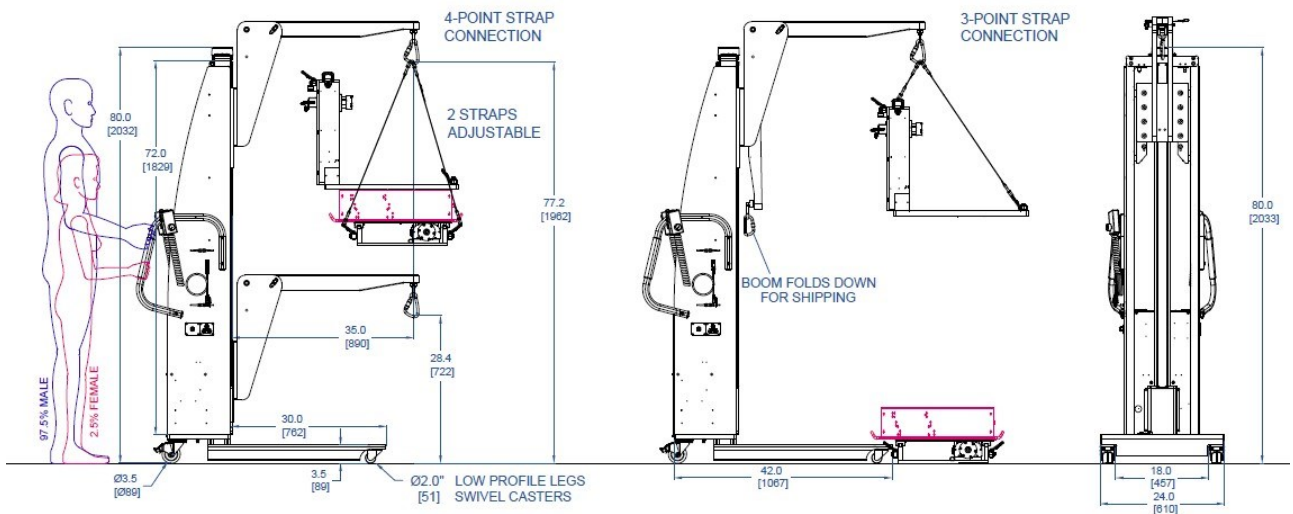
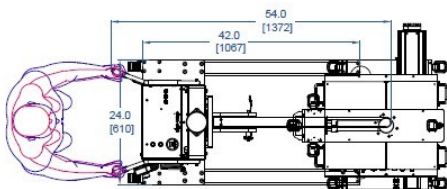
PROJECT 33435

MODEL A800CS-72

FEATURING Folding Boom, Swiveling Hoist Ring, Tethers for Lifting, Low-Profile Legs

HANDLING 250 lb [113 kg] Electrical Test Assemblies

DETAILS Manufacturers often need complex testing equipment to ensure the quality of their products. This can involve lifting large assemblies into test chambers or other tight spaces. This Alum-a-Lift features a boom with a hoist ring and tethers to handle the electrical test assemblies. The adjustable straps allow for various size and shape assemblies to be safely lifted and transported.



alum-a-lift

13941 Veterans Memorial Hwy
Winston, GA 30187 USA
+1 770 489 0328

GET STARTED AT ALUM-A-LIFT.COM