

FEATURED ALUM-A-LIFT  
 ERGONOMIC LIFT WITH FORKSET AND ALIGNMENT FEATURES

PROJECT  
**33370**

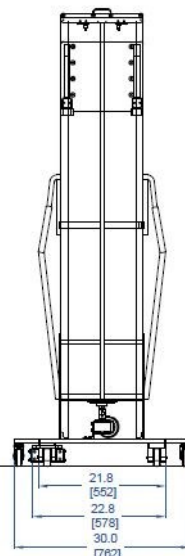
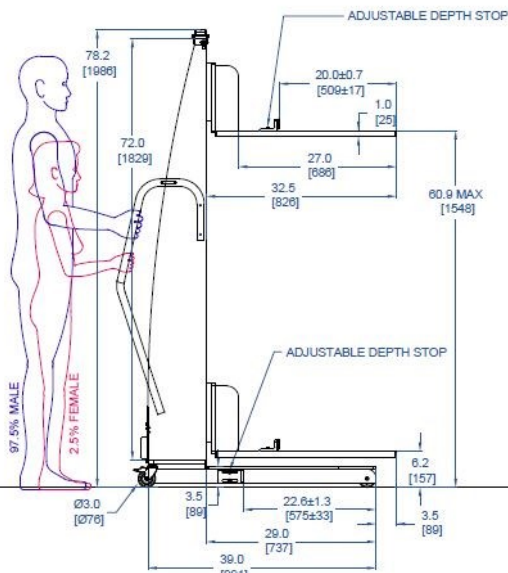
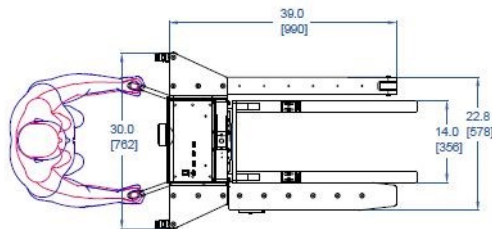


**MODEL** L200CS-72

**FEATURING** Fixed Forkset with Adjustable Depth Stops and Rail Alignment Feature

**HANDLING** 100 lb [45 kg] Pallets

**DETAILS** This lightweight lift shows that “custom” does not have to mean “complex!” This ergonomic material handling device features an aluminum fork set for loading process-specific pallets into a Physical Vapor Deposition (PVD) machine. It features adjustable depth stops on the forks and legs as well as a floor-mounted guide rail system that eliminates guesswork and ensures repeatable alignment and positioning.



**GUIDE RAIL**

