

# FEATURED ALUM-A-LIFT FORMING TUBE LIFT WITH ARTICULATION AND TILT

## PROJECT 32537

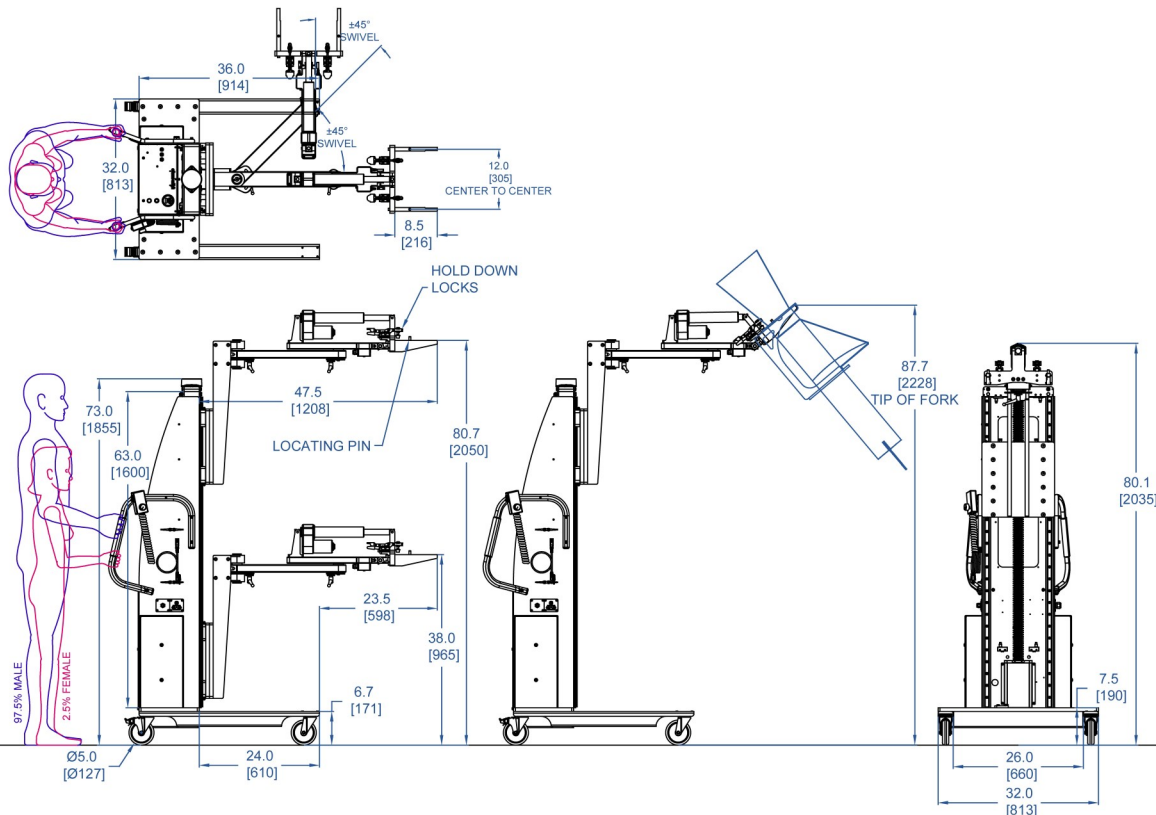


**MODEL** A800CLR-63

**FEATURING** Non-marring Forkset, Hold-down clamps, Powered Tilt Up, Dual Lockable Pivots

**HANDLING** 120 lb [54 kg] Forming Tubes

**DETAILS** In Vertical Form Fill and Seal (VFFS) equipment, forming tubes (also forming collars) are exchanged to allow a packaging line to switch between various sizes and styles of packaging. Changing the forming tube typically involves reaching a flange located high in the machine. The VFFS machine's base and output conveyor may inhibit access. This lift's end-effector offers articulation by way of two pivot points, allowing it to reach the tubes from a variety of angles. This featured lift also includes a special tilt-up motion to angle tubes through a tight space between overhead beams and the machine's frame.



**alum-a-lift**

13941 Veterans Memorial Hwy  
Winston, GA 30187 USA  
+1 770 489 0328

GET STARTED AT [ALUM-A-LIFT.COM](http://ALUM-A-LIFT.COM)