

## FEATURED ALUM-A-LIFT

# THERMAL CHAMBER LOADING LIFT WITH EXTENDED PADDLE

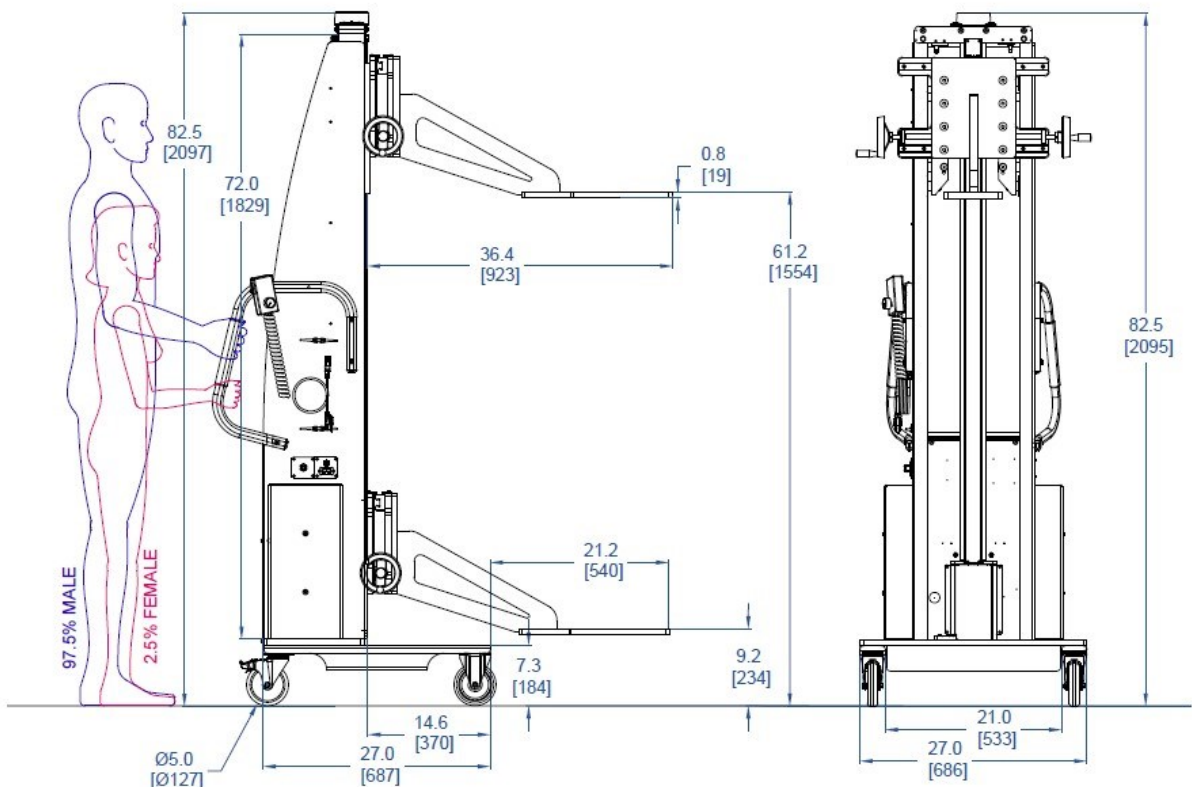
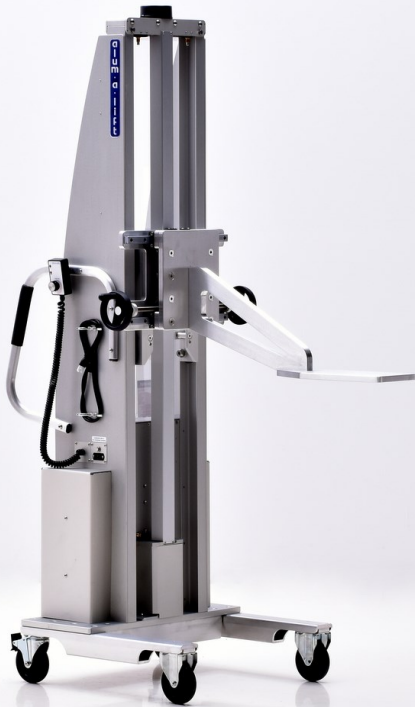
## PROJECT 32734

**MODEL** A800CS-72

**FEATURING** Lateral Shuttle, Extended Reach Paddle, Rigid Casters

**HANDLING** 170 lb [77 kg] Titanium Plates

**DETAILS** Ovens and thermal chambers and ovens must often be loaded in manufacturing and test processes. Environmental test and shock chambers often have similar requirements. This compact, portable Alum-a-Lift features an extended reach paddle for inserting and removing plates into an oven. A lateral shuttle allows for fine position adjustment within the chamber. This ergonomic material handling tool enables an operator to remain at a safe distance, eliminating an awkward and potentially dangerous material handling maneuver.



**alum-a-lift**

13941 Veterans Memorial Hwy  
Winston, GA 30187 USA  
+1 770 489 0328

GET STARTED AT [ALUM-A-LIFT.COM](http://ALUM-A-LIFT.COM)