

FEATURED ALUM-A-LIFT MEDICAL IMAGING EQUIPMENT MANIPULATOR LIFT

PROJECT 30325

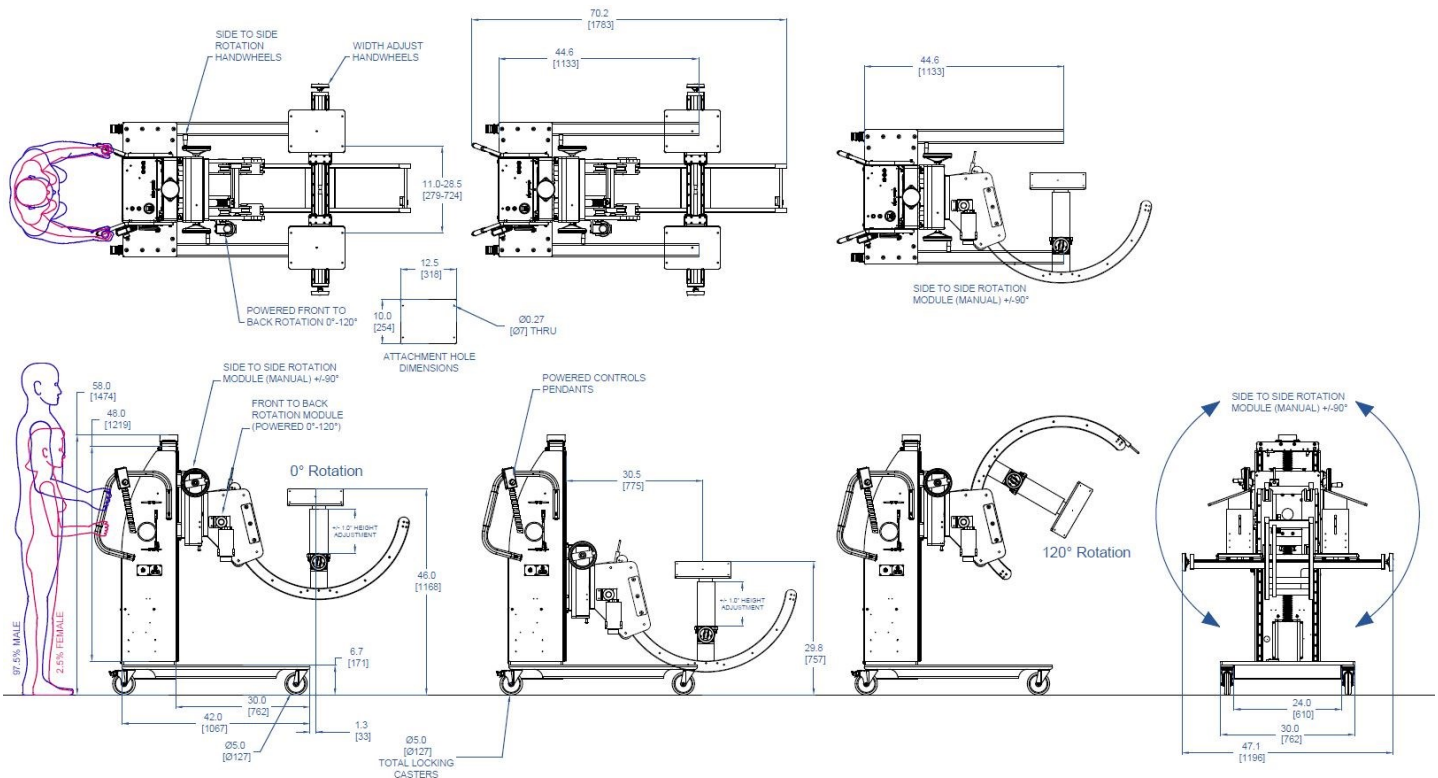


MODEL A800CLR-60

FEATURING AC Powered, Manual Side to Side Rotation, Powered Front to Back Rotation, Manual Width Adjust

HANDLING 200 lb [91 kg] Medical Imaging Equipment

DETAILS This lift provides fine positioning control for specialized medical imaging equipment. The imaging components are bolted to the mounting plates and then are able to be manipulated into the appropriate position based on the position of the patient. The width can be increased or decreased to adjust size, and rotation about two different axes allows the equipment to be maneuvered around the patient as needed. The small footprint and ease of mobility make this a process that can be accomplished almost anywhere.



alum-a-lift

13941 Veterans Memorial Hwy
Winston, GA 30187 USA
+1 770 489 0328

GET STARTED AT ALUM-A-LIFT.COM