

FEATURED ALUM-A-LIFT ARTICULATED ARM LIFT FOR UPS BATTERY HANDLING

PROJECT 30629

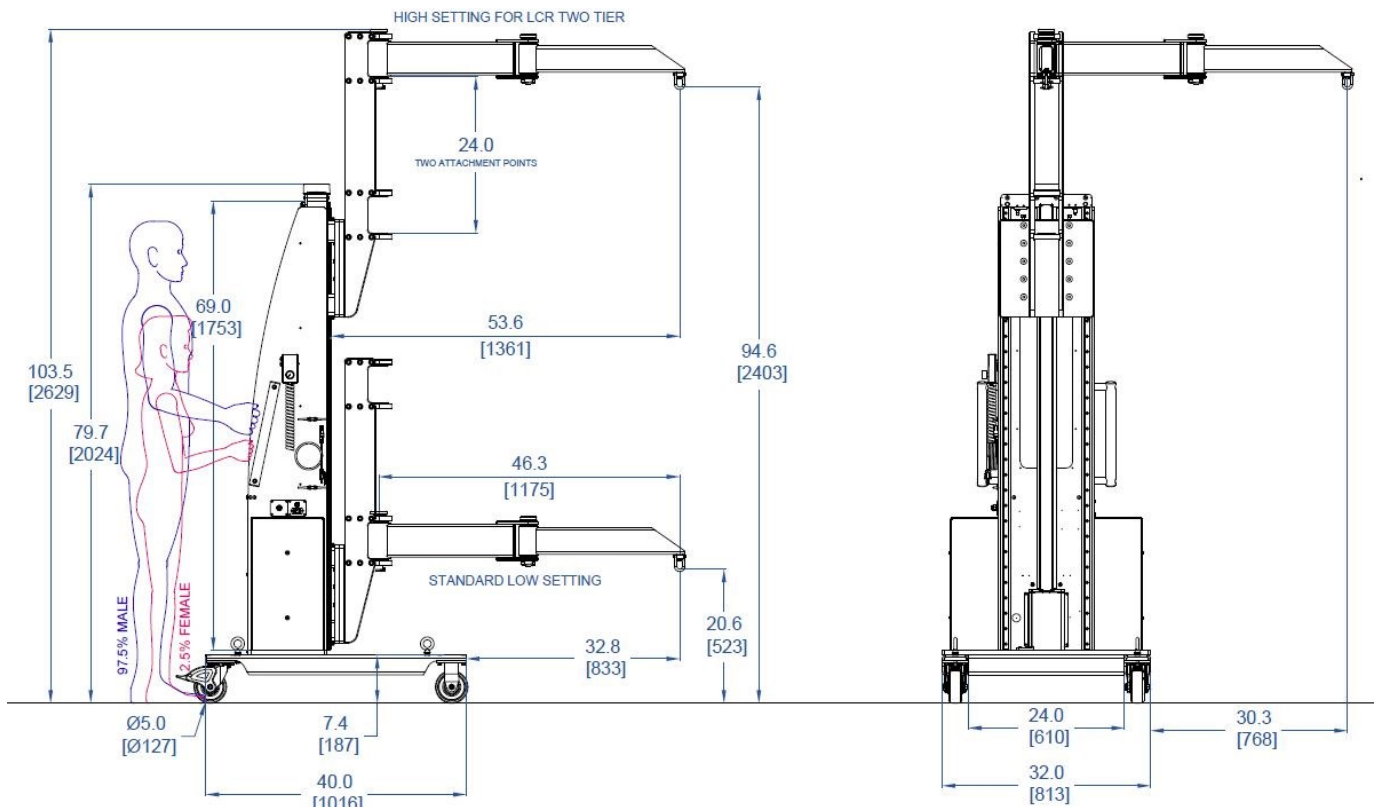


MODEL A800CLR-69

FEATURING Load Rated Hoist Ring, Detachable Indexing Articulated Arm, Linear Rail Construction, Countermass, Lifting Points

HANDLING 300 lb [136 kg] UPS Batteries

DETAILS This mobile lift was configured to support the maintenance and change out of UPS (Uninterruptible Power Supply) batteries. This system features a footprint that has been optimized for narrow aisles with integrated lifting points that allow for placement inside outlying UPS battery rooms. The articulated arm is detachable for transport and can be configured for either one or two tier racks. The arm's flexibility allows it to be extended to the side for removal or installation operations.



alum-a-lift

13941 Veterans Memorial Hwy
Winston, GA 30187 USA
+1 770 489 0328

GET STARTED AT ALUM-A-LIFT.COM