

FEATURED ALUM-A-LIFT ERGONOMIC LIFT WITH SPREADER BAR AND SLINGS

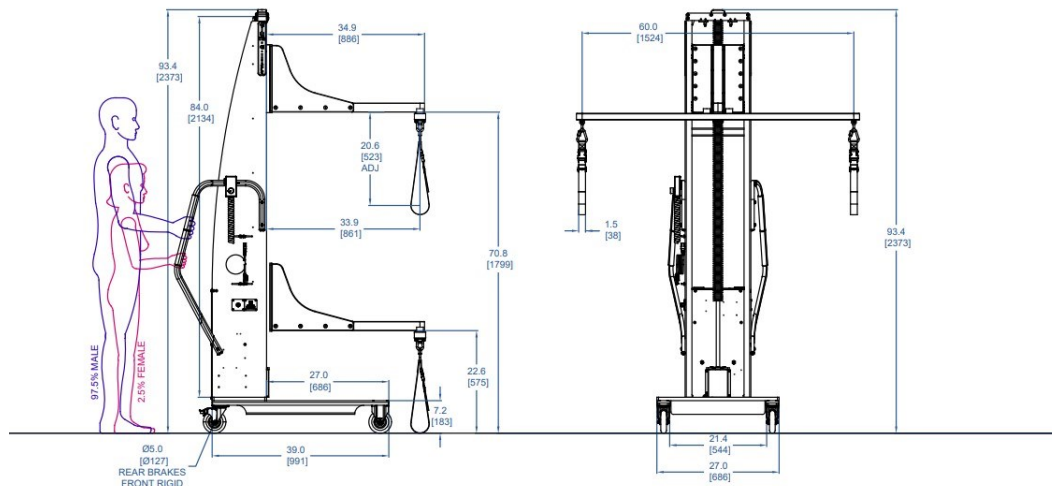
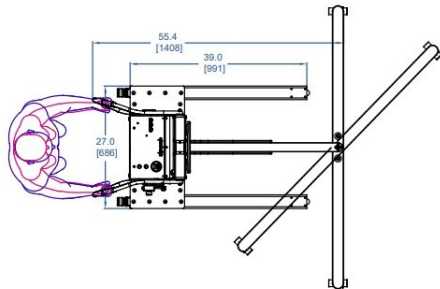
PROJECT 32680

MODEL B350CS-84

FEATURING Dual Removable Hooks, Swiveling Spreader Bar

HANDLING 200 lb. [90 kg] Rolls

DETAILS Solar companies require movement of ceramic rolls stored on dollies for solar panel manufacturing . This Alum-a-Lift features a spreader bar with a custom hook assembly and adjustable slings. This ergonomic handling tool enables an operator to easily maneuver an otherwise cumbersome load. Special soft-tread casters are utilized to maneuver over small debris on the factory floor.



alum-a-lift

13941 Veterans Memorial Hwy
Winston, GA 30187 USA
+1 770 489 0328

GET STARTED AT ALUM-A-LIFT.COM