

FEATURED ALUM-A-LIFT PORTABLE ERGONOMIC TOTE DUMPER

PROJECT 32580

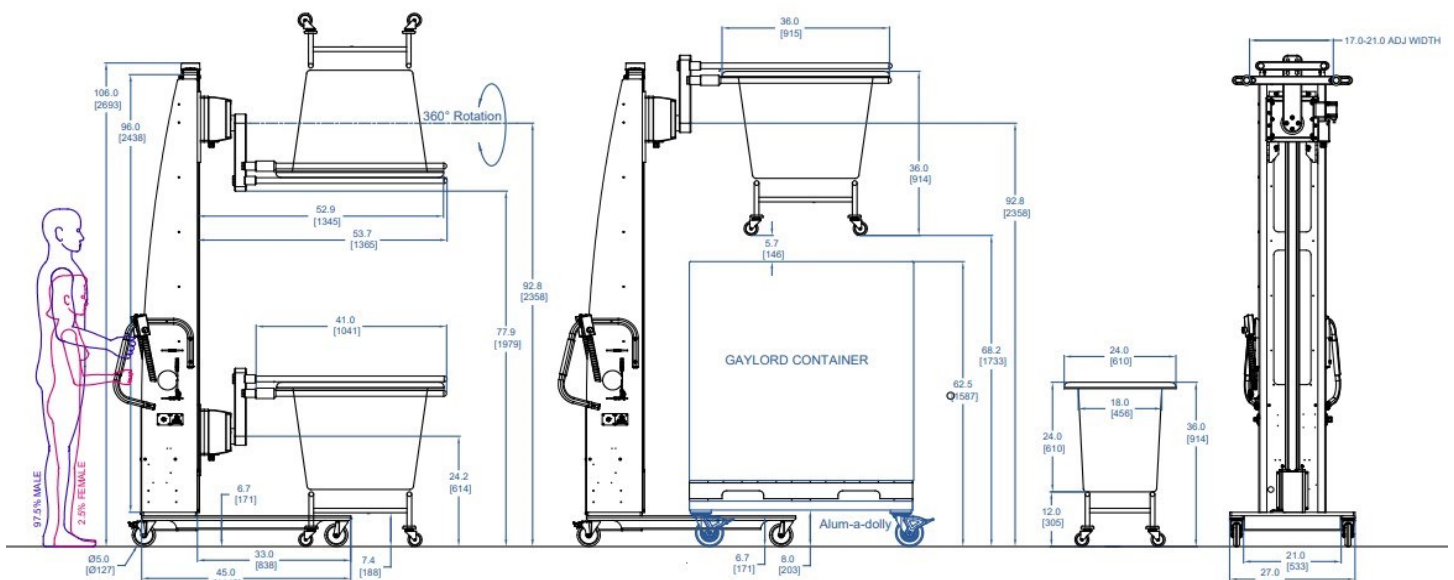
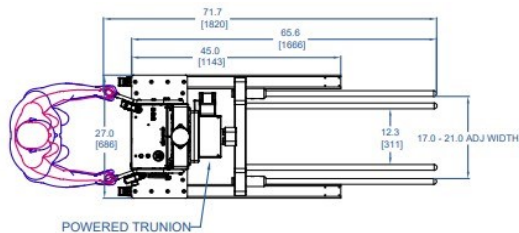
MODEL A800CS-96

FEATURING Adjustable Width and Height Quad Prong Set, Side-to-Side Rotation

HANDLING 100 lb [45 kg] Totes

DETAILS This Alum-a-Lift was configured for a customer who used plastic bins to accumulate scrap material before it was manually unloaded into a gaylord palletized carton. Alum-a-Lift engineering worked closely with the process engineer to design a turnkey system that required no modification to their existing containers.

This lift features a quad prong set with powered side-to-side rotation for effortless tote dumping. The prong set is adjustable using simple hand tools to ensure a perfect fit.



alum-a-lift

13941 Veterans Memorial Hwy
Winston, GA 30187 USA
+1 770 489 0328

GET STARTED AT ALUM-A-LIFT.COM