

# FEATURED ALUM-A-LIFT LIGHTWEIGHT CLEANROOM LIFTER WITH PLATFORM

## PROJECT 32297

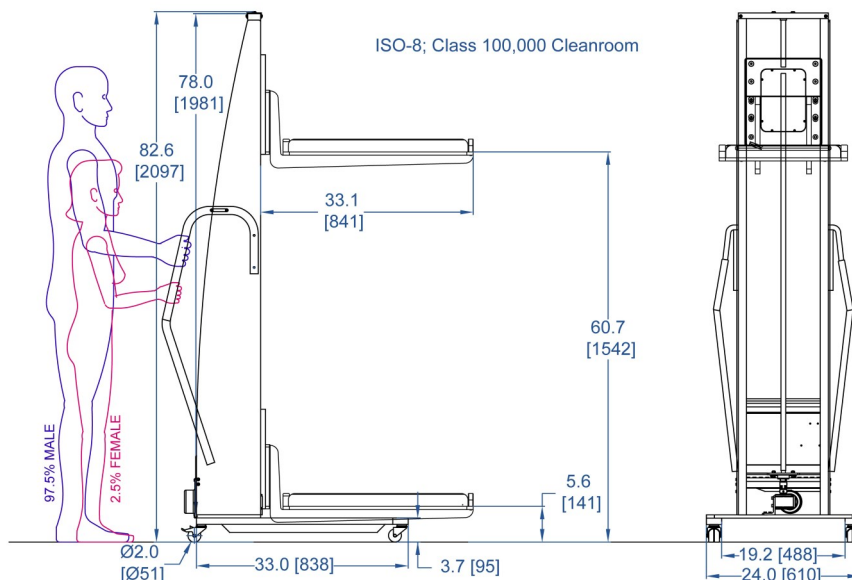
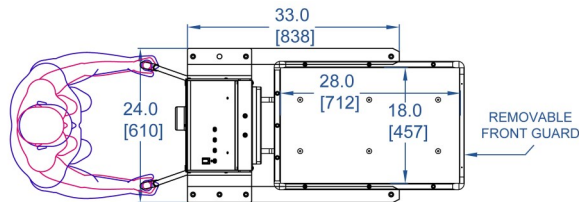


**MODEL** L200CRCS-78

**FEATURING** Non-Marring Platform, Removable Side Guards, Lifting Speed Control, Low-Profile Legs

**HANDLING** 100 lb [45 kg] Tooling Fixtures

**DETAILS** This lift is configured to load dies into and out of process equipment used to manufacture sterile bags in an ISO 8 (Class 100,000) pharmaceutical/medical cleanroom. The lift features a non-marring plastic platform that is sized to match the dies. Removable side guards retain the dies during transport and allow easy loading and unloading. The lift's special low-profile leg set and smaller front casters enable the lift to have a compact footprint and a vertical range of motion that perfectly matches the dies' storage shelves while still clearing doorways and other overhead restrictions.



**alum-a-lift**

13941 Veterans Memorial Hwy  
Winston, GA 30187 USA  
+1 770 489 0328

GET STARTED AT [ALUM-A-LIFT.COM](http://ALUM-A-LIFT.COM)