

FEATURED ALUM-A-LIFT
 CUSTOM ERGONOMIC LIFT WITH TWO-POSITION PLATFORM

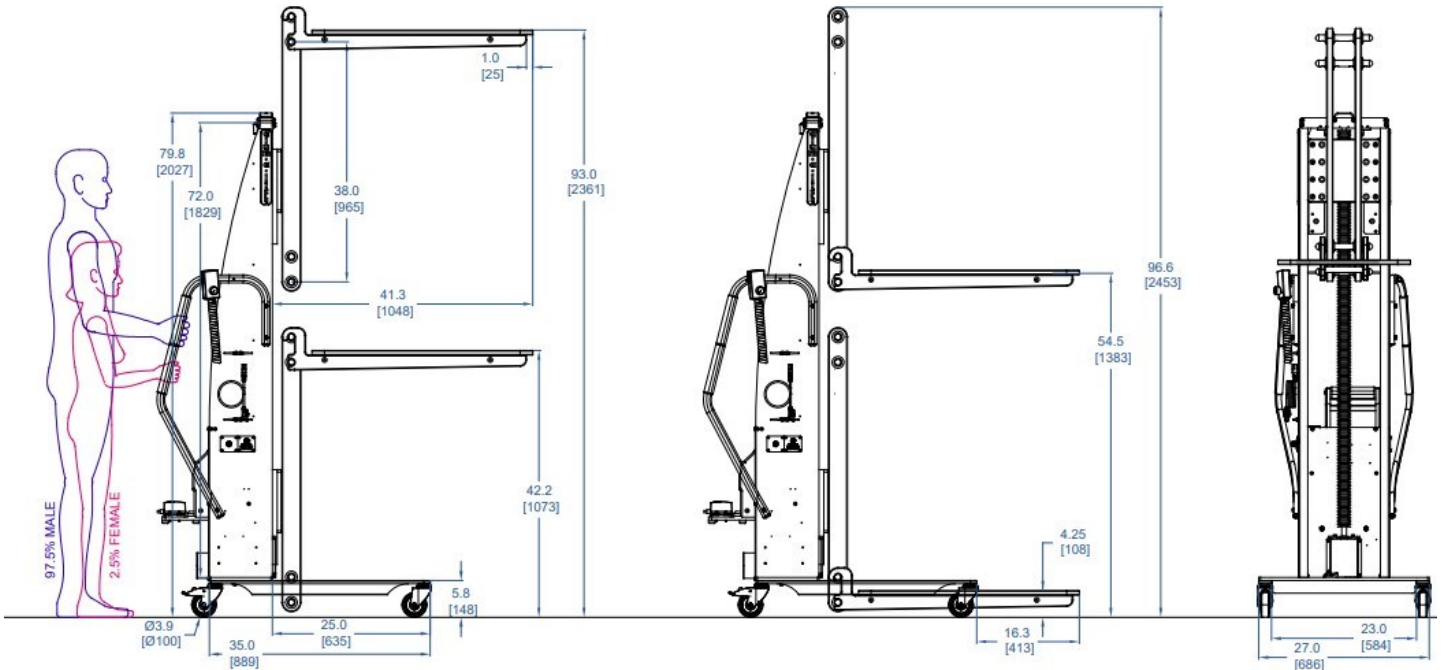
PROJECT
32708

MODEL L200CS-72

FEATURING Indexable Platform with Non-Marring ESD Surface

HANDLING 125 lb [57 kg] Servers

DETAILS This Alum-a-Lift offers a large range of motion in a small package. The lift includes a low-friction ESD plastic platform sized to match the specific servers it is intended to handle. This platform can be installed in either a “high” or “low” position, offering two distinct ranges of motion with a single lifting stage. This feature allows the lift to navigate doorways, low ceilings, and other height restrictions while still being able lift overhead.



PLATFORM IN "HIGH" POSITION

PLATFORM IN "LOW" POSITION

alum-a-lift

13941 Veterans Memorial Hwy
 Winston, GA 30187 USA
 +1 770 489 0328

GET STARTED AT ALUM-A-LIFT.COM