

FEATURED ALUM-A-LIFT ROLL HANDLING CLAMP LIFT WITH ALUM-A-DOLLY

PROJECT 32416



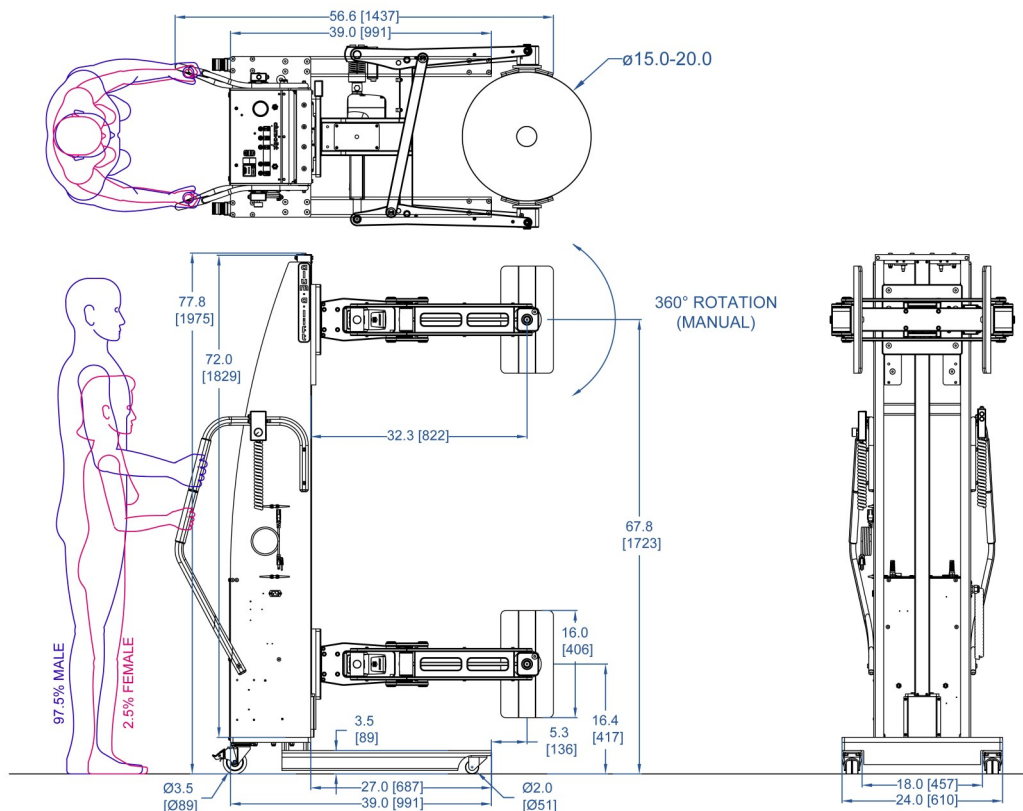
MODEL B350CS-72

FEATURING Manual Wrists, Powered Clamp, Low Profile Legs, Alum-a-Dolly

HANDLING 200 lb [91 kg] Rolls

DETAILS This clamping lift raises rolls of packaging material from the surface of a pallet and rotates them to a horizontal position for installation onto cantilevered machine shafts.

Included with the lift is our “Alum-a-Dolly”, a simple aluminum dolly on which pallets may be staged. This provides clearance for the lift’s legs to pass underneath and also mobilizes pallets, allowing a high storage density. A removable handle is also available to convert the dolly into a transport tool.



alum-a-lift

13941 Veterans Memorial Hwy
Winston, GA 30187 USA
+1 770 489 0328

GET STARTED AT ALUM-A-LIFT.COM