

FEATURED ALUM-A-LIFT WORK POSITIONER FOR TESTING IMAGING SYSTEMS

PROJECT 32213

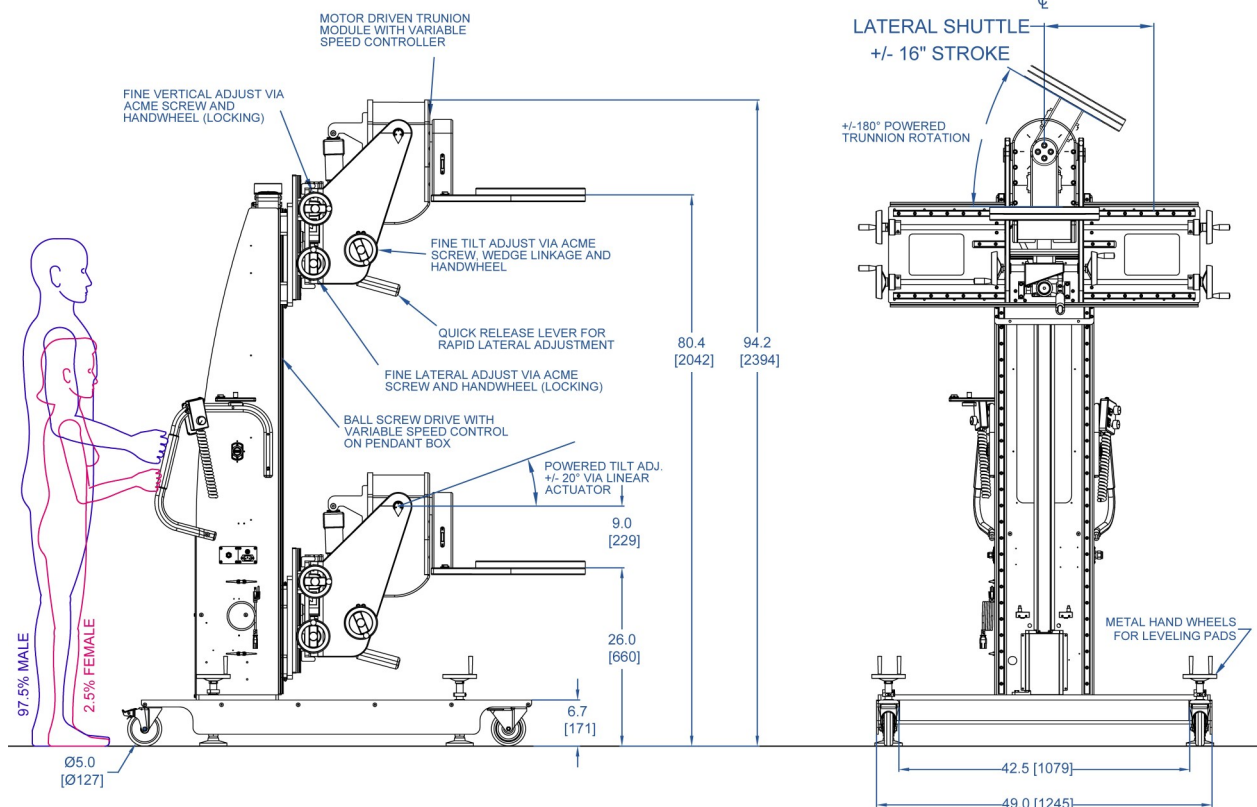


MODEL A800CLSR-72

FEATURING Powered Rotation Module, Powered Tilt Module, Lateral Shuttle, Fine Vertical Shuttle

HANDLING 250 lb [115 kg] Imaging Modules

DETAILS Aerial, multi-sensor imaging systems allow for continuous surveillance in both civil and defense applications. This lift allows the manufacturer to position such a system precisely for testing using four degrees of freedom. A vertical shuttle allows fine adjustments to elevation. Fine adjustments to the horizontal position are accomplished with a handwheel, which can also be unlocked to allow free movement for rapid adjustments. The powered tilt module includes handwheels for fine adjustments as well. The powered rotation module provides 360° of travel and is designed for minimal backlash.



alum-a-lift

13941 Veterans Memorial Hwy
Winston, GA 30187 USA
+1 770 489 0328

GET STARTED AT ALUM-A-LIFT.COM