

FEATURED ALUM-A-LIFT CLEANROOM COMPLIANT ROLLER DECK LIFT

PROJECT 31602

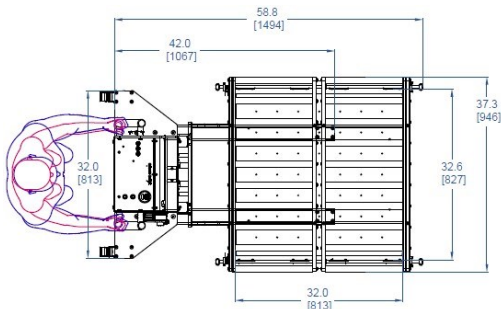


MODEL B350CRCSLR-72

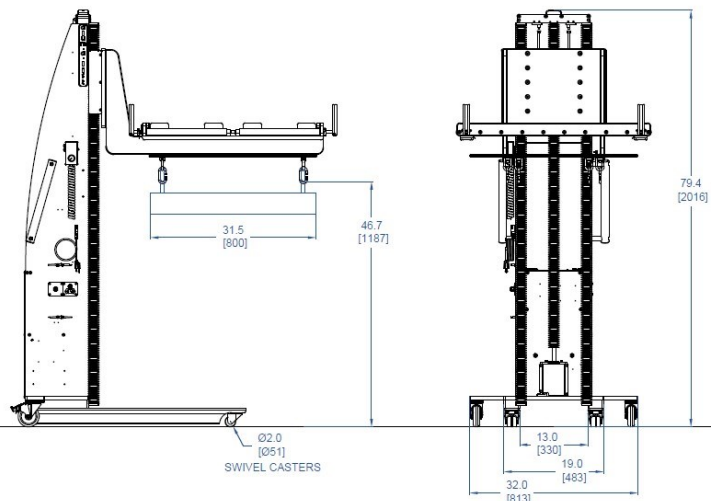
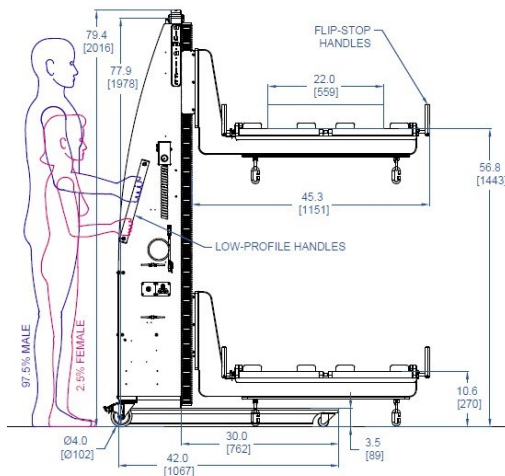
FEATURING Roller Deck with Flip-Up Safety Stops, Indexable Hoist Rings, Low-Profile Legs, Class 10 (ISO 4) Cleanroom Rating

HANDLING 110 lb [50 kg] Semiconductor Components

DETAILS This multi-use lift is designed to handle various components inside a Class 10 (ISO 4) cleanroom. A low-friction roller deck allows components to be slid on and off of shelving. Flip-up stops prevent the component from sliding off the lift during transport. Hoist rings are mounted below on a plate with an array of holes, giving flexibility to lift components of varying size and shape. Low-Profile legs with swivel casters fit underneath machines and shelves and provide a high level of maneuverability.



CLASS 10 (ISO 4) CLEANROOM COMPATIBLE



alum-a-lift

13941 Veterans Memorial Hwy
Winston, GA 30187 USA
+1 770 489 0328

GET STARTED AT ALUM-A-LIFT.COM