

FEATURED ALUM-A-LIFT HAZARDOUS ENVIRONMENT DRUM TIPPER

PROJECT 31046



MODEL A800CSIS-66

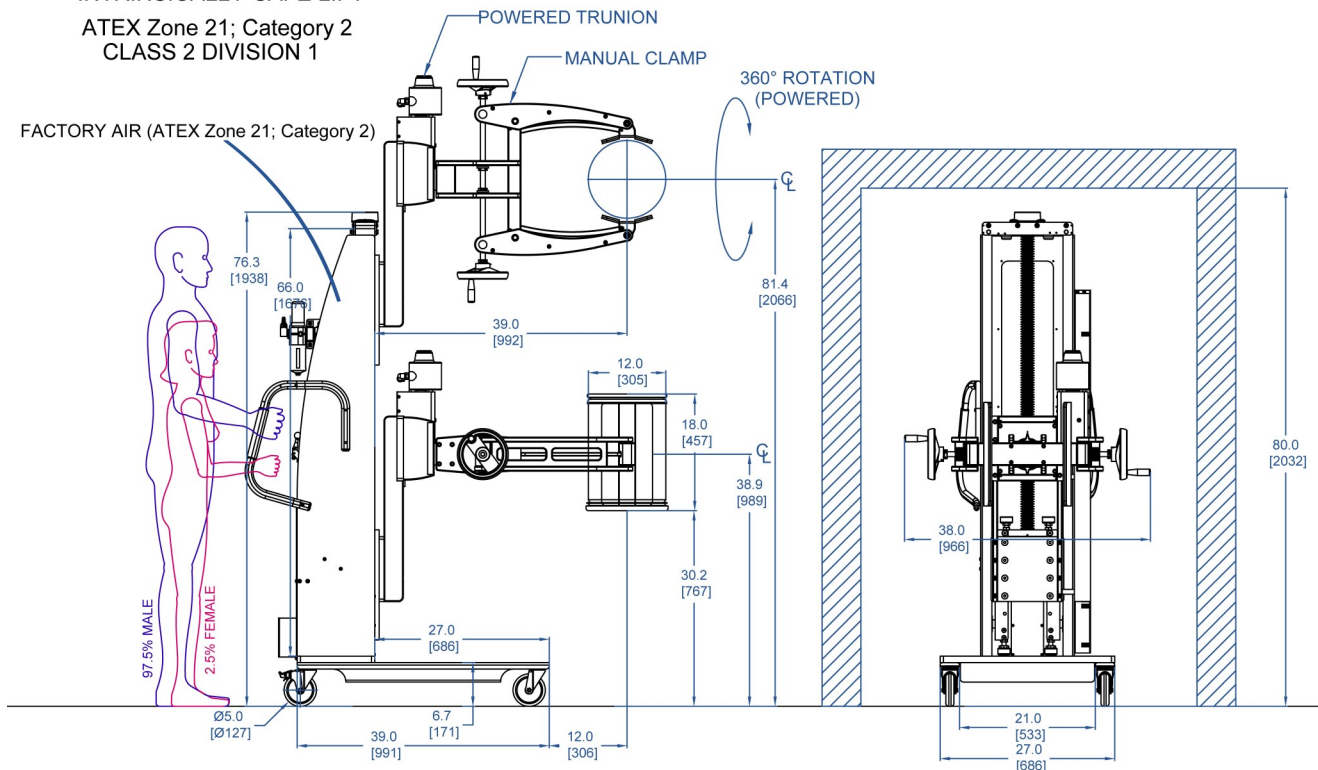
FEATURING Manual Clamp, 360-Degree Pneumatic Powered Trunion, Pneumatic Powered Lift

HANDLING 110 lb [50 kg] Drums

DETAILS A drug manufacturer needed a way to dump drums containing an explosive concentration of liquid into the hoppers of their blending machines. The overhead pour was a major ergonomic concern and traditional lifts could not operate in the explosive environment. In order to be intrinsically safe, all powered functions are pneumatic powered making the lift suitable for use in NEC 500/IEC Class 1&2, Division 1&2 environments.

INTRINSICALLY-SAFE LIFT

ATEX Zone 21; Category 2
CLASS 2 DIVISION 1



alum-a-lift

13941 Veterans Memorial Hwy
Winston, GA 30187 USA
+1 770 489 0328

GET STARTED AT ALUM-A-LIFT.COM