

FEATURED ALUM-A-LIFT PHARMACEUTICAL TOTE DUMPER WITH TOOLING ADAPTOR

PROJECT 31697

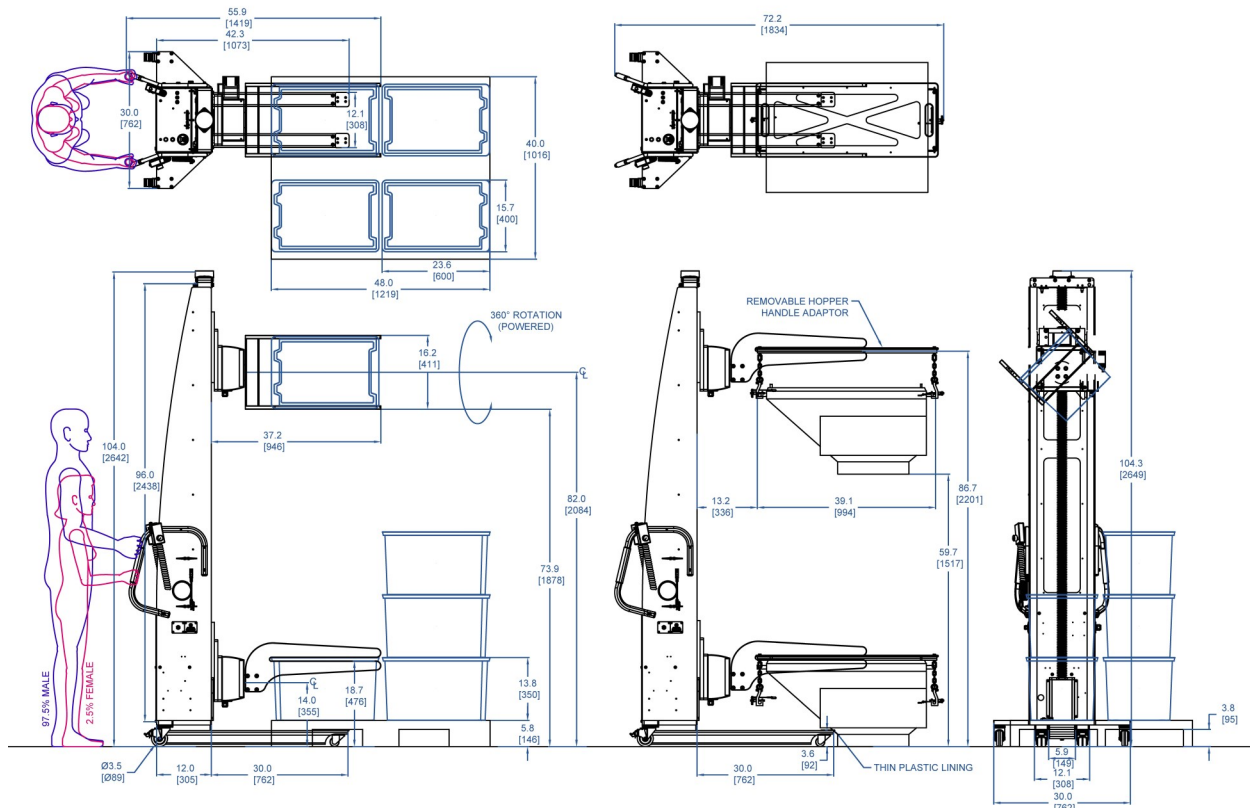


MODEL A800CS-96

FEATURING Rotating Notched Forkset, Removable Tooling Adaptor, Trapezoidal Base with Low Profile Legs

HANDLING 100 lb [45 kg] Totes and 70 lb [32 kg] Hoppers

DETAILS The packaging of pharmaceutical tablets into bottles requires the dumping of totes into a tablet elevator or dumping directly into the top hopper of a bottle filling machine. This lift captivates the lip of the totes between the split forks for secure handling. The removable tooling adaptor enables the lift to serve a secondary function of handling the hopper from the tablet elevator and the top of the machine for sanitizing processes. The removable adaptor utilizes the same split forks for mounting, simply slide the adaptor in place and you are good to go.



alum-a-lift

13941 Veterans Memorial Hwy
Winston, GA 30187 USA
+1 770 489 0328

GET STARTED AT ALUM-A-LIFT.COM