

FEATURED ALUM-A-LIFT CLEANROOM COMPLIANT PROBE CARD LIFTER AND ROTATOR

PROJECT 31601

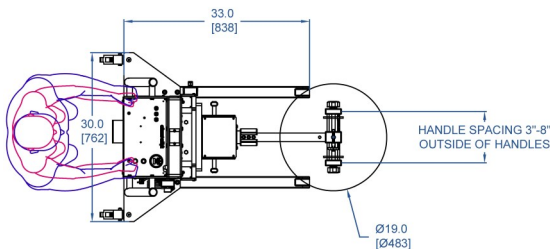


MODEL L200CRSLR-72

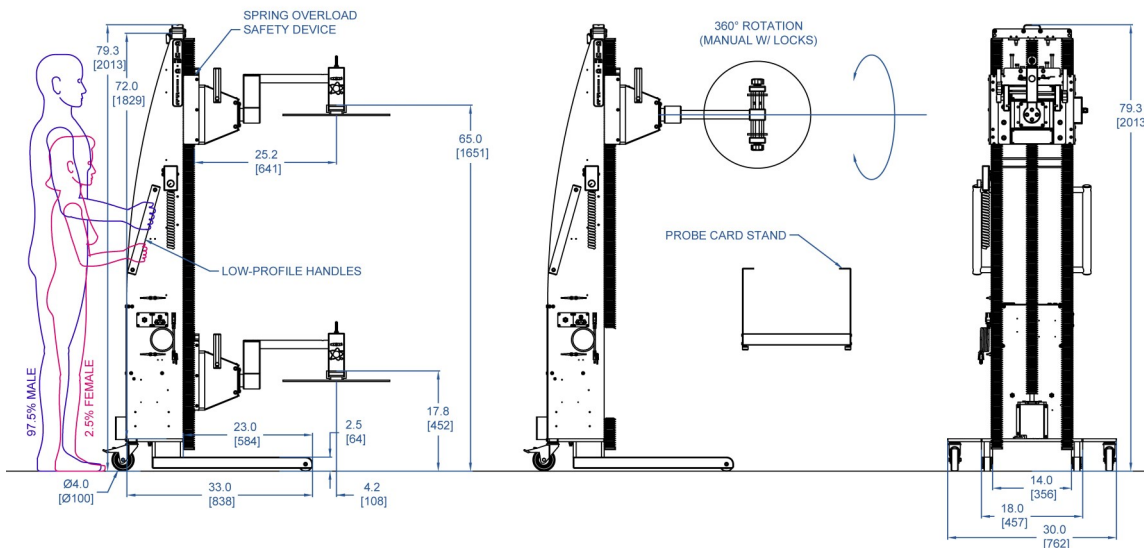
FEATURING Custom removable fixture, manual rotation module, spring overload safety device, Class 10 (ISO 4) cleanroom rating

HANDLING 25 lb [11 kg] Probe Cards

DETAILS In the semiconductor manufacturing process, probe cards are a commonly seen component which pose a unique handling challenge. Designed for use in a Class 10 (ISO 4) cleanroom, this Alum-a-Lift includes a custom fixture which attaches to the delicate probe card. An arm with a manual rotation module engages and locks to the fixture and allows operators to invert the probe card for inspection and service. A spring overload safety device protects the probe card from being damaged when setting it down on a surface.



CLASS 10 (ISO 4) CLEANROOM COMPATIBLE



alum-a-lift

13941 Veterans Memorial Hwy
Winston, GA 30187 USA
+1 770 489 0328

GET STARTED AT ALUM-A-LIFT.COM