

# FEATURED ALUM-A-LIFT PORTABLE VACUUM LIFTER FOR AIRCRAFT COWLINGS

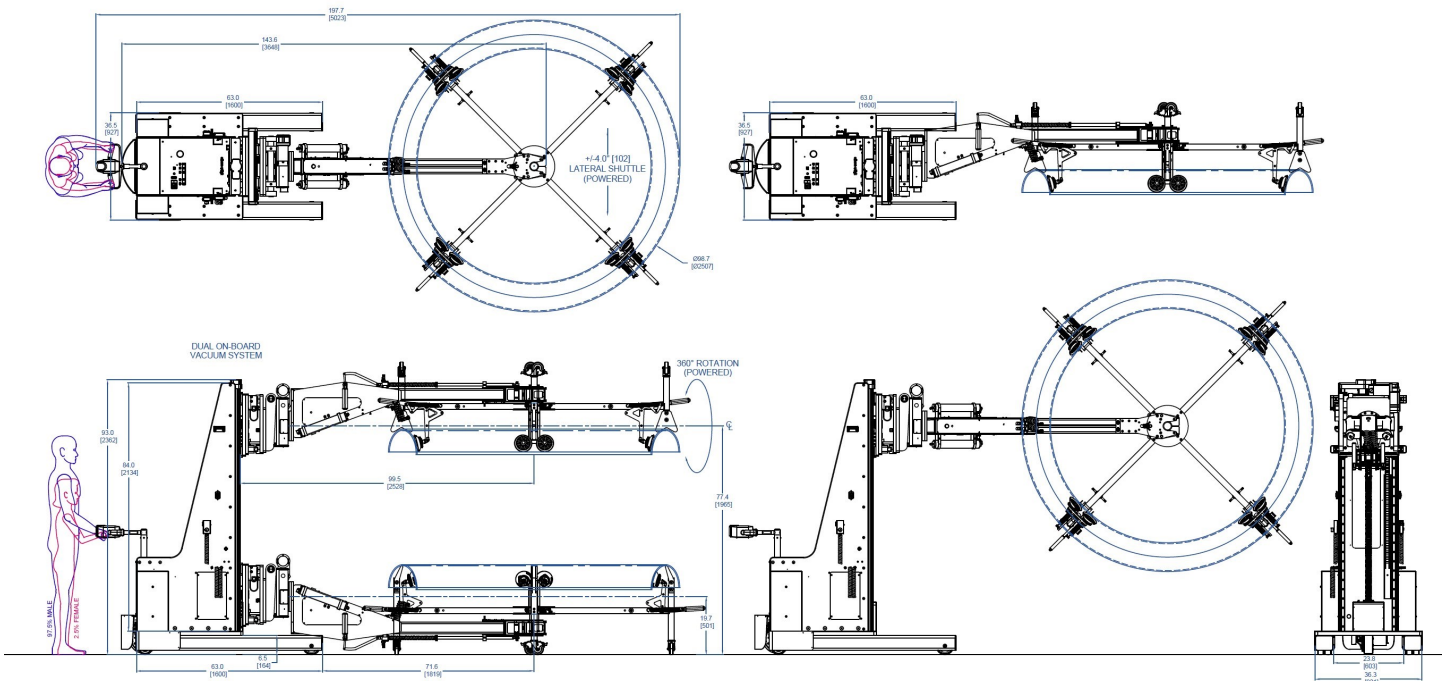
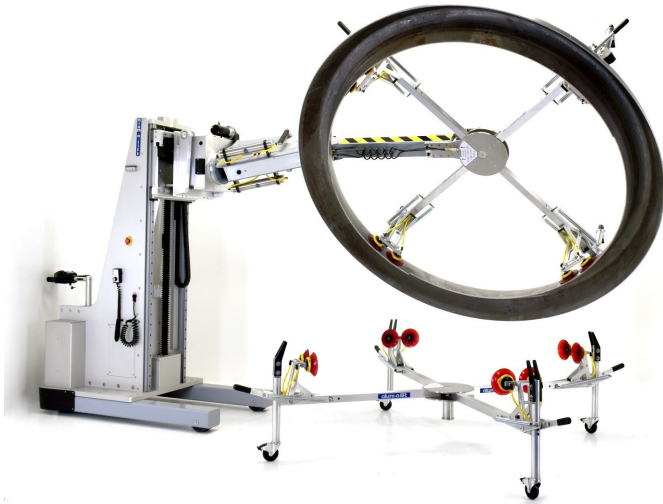
## PROJECT 28030

**MODEL** C3500CSLRPD-84

**FEATURING** Quick Change Interchangeable Vacuum Fixtures, Dual -Onboard Vacuum System, 360° Powered Side-to-Side Rotation, Powered Lateral Shuttle, High Capacity Linear Bearing, Steerable Powered Drive Wheel

**HANDLING** 400 lb [181 kg] Aluminum Cowlings

**DETAILS** During the manufacture of aircraft cowling (noselips), a raw aluminum sheet goes through multiple machining, forming, treating, and inspection steps. This alum-a-lift quickly changes between multiple custom vacuum fixtures to support these steps throughout the entirety of manufacturing process. Each vacuum fixture serves a dual purpose as a material transport and staging area to allow one lift to support the simultaneous production of multiple units.



**alum-a-lift**

13941 Veterans Memorial Hwy  
Winston, GA 30187 USA  
+1 770 489 0328

GET STARTED AT [ALUM-A-LIFT.COM](http://ALUM-A-LIFT.COM)