

# FEATURED ALUM-A-LIFT ROLL-LOADING LIFTER WITH POWERED PUSH/PULL

## PROJECT 31577

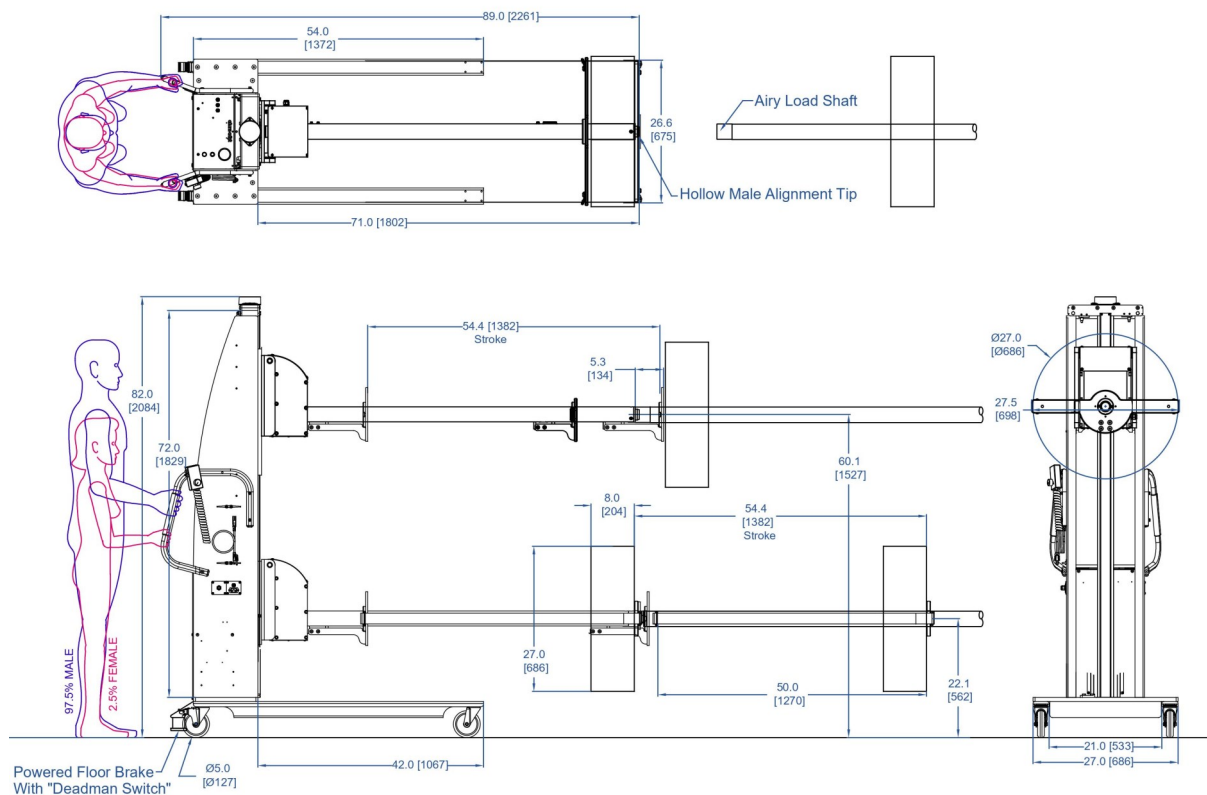


**MODEL** A800CS-72

**FEATURING** Roll handling boom, Powered loading / unloading, Automatic floor brake, Custom spindle docking tip, Tilt-up safety shut-off

**HANDLING** 200 lb [91 kg] Paper and Plastic Rolls

**DETAILS** This lift features a  $\varnothing 3"$  prong, able to pick up rolls by the core. A docking feature interfaces with a specialized spindle to ensure a safe and repeatable transfer, reducing risk of product or equipment damage. An embedded pusher plate offloads these rolls to a cantilevered rewriter shaft without any manual effort by an operator, eliminating the risk of injury. A attachable puller plate is used to remove the rolls from the spindle and move the rolls seamlessly around the floor.



**alum-a-lift**

13941 Veterans Memorial Hwy  
Winston, GA 30187 USA  
+1 770 489 0328

GET STARTED AT [ALUM-A-LIFT.COM](http://ALUM-A-LIFT.COM)