

FEATURED ALUM-A-LIFT COMPACT STATIONARY LOAD INVERTER AND LIFTER

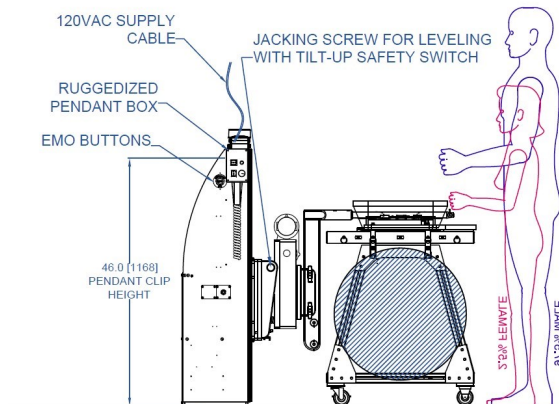
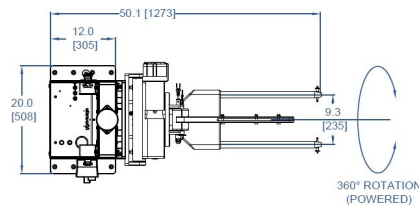
PROJECT 31238

MODEL A800CSLR-48

FEATURING Floor Mounted, Dual Prongs, Removable Adjustable Steel Plate, Quick Disconnect Lifting Attachment, Jacking Screw for Leveling, Powered Rotation Module

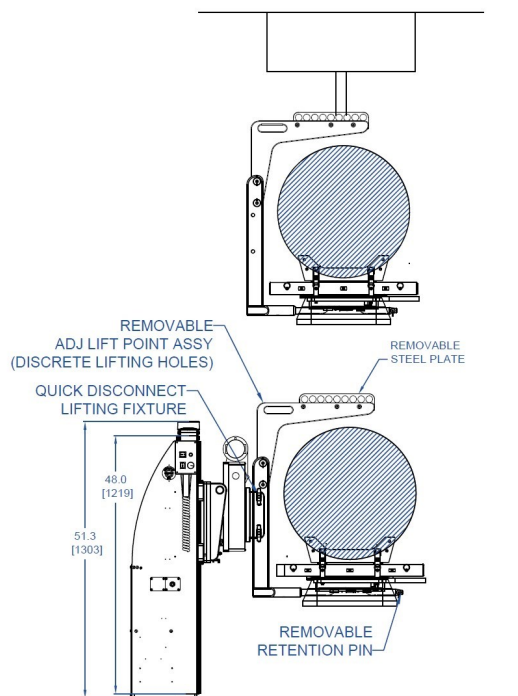
HANDLING 500 lb [227 kg] Custom Fixtures

DETAILS Often an afterthought, the handoff of materials between process steps can present safety and ergonomic challenges. This floor-mounted Alum-a-Lift enables an easy transfer between rolling carts and an overhead conveyance in an assembly sequence. The lift's height adjustable fork set features a leveling module to compensate for uneven floor conditions. Powered rotation and a custom two-piece quick-connect lifting fixture enable an effortless handoff to the overhead hoist.



FIXTURE CART ENGAGED

FIXTURE DISCONNECTED FROM LIFT



CART REMOVED
FIXTURE INVERTED