

# FEATURED ALUM-A-LIFT AIRCRAFT ENGINE INLET MANIPULATOR

## PROJECT 29074



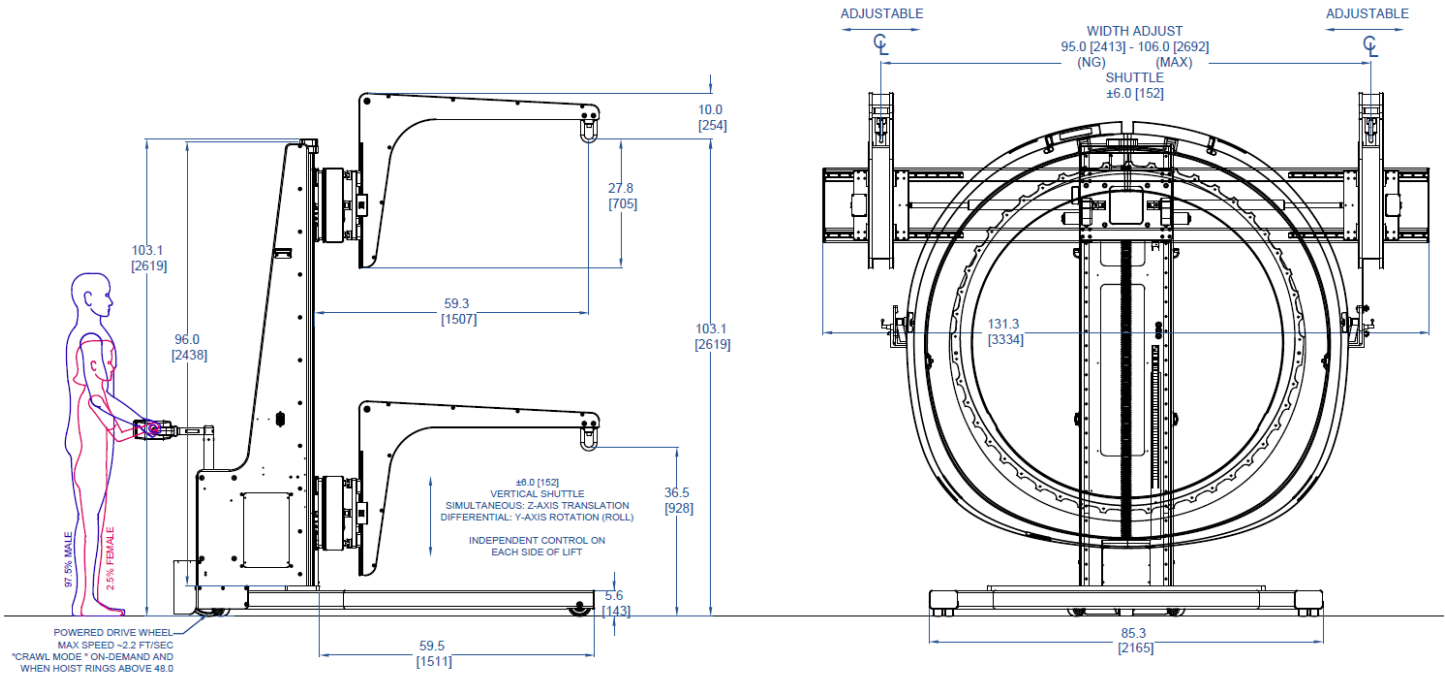
**MODEL** A2500CSLRPD-96

**FEATURING** Independent Vertical Fork Adjustment, Lateral Shuttle, Width Adjust, Spring Overload / Obstacle Encounter

**HANDLING** 500 lb [227 kg] Engine Inlets

**DETAILS** Installing large aerospace components demands fine position control and repeatability. This Alum-a-Lift features wide-span powered forks with independent height and width adjustment, allowing for precise translation and rotation about multiple axes.

Previously reliant on an overhead hoist, the addition of this lift eliminated the need for specially trained crane operators as well as work stoppages caused by waiting for hoist availability.



**alum-a-lift**

13941 Veterans Memorial Hwy  
Winston, GA 30187 USA  
+1 770 489 0328

GET STARTED AT [ALUM-A-LIFT.COM](http://ALUM-A-LIFT.COM)