

FEATURED ALUM-A-LIFT VACUUM LIFTER WITH ROTATION FOR WOODEN PANELS

PROJECT 25437

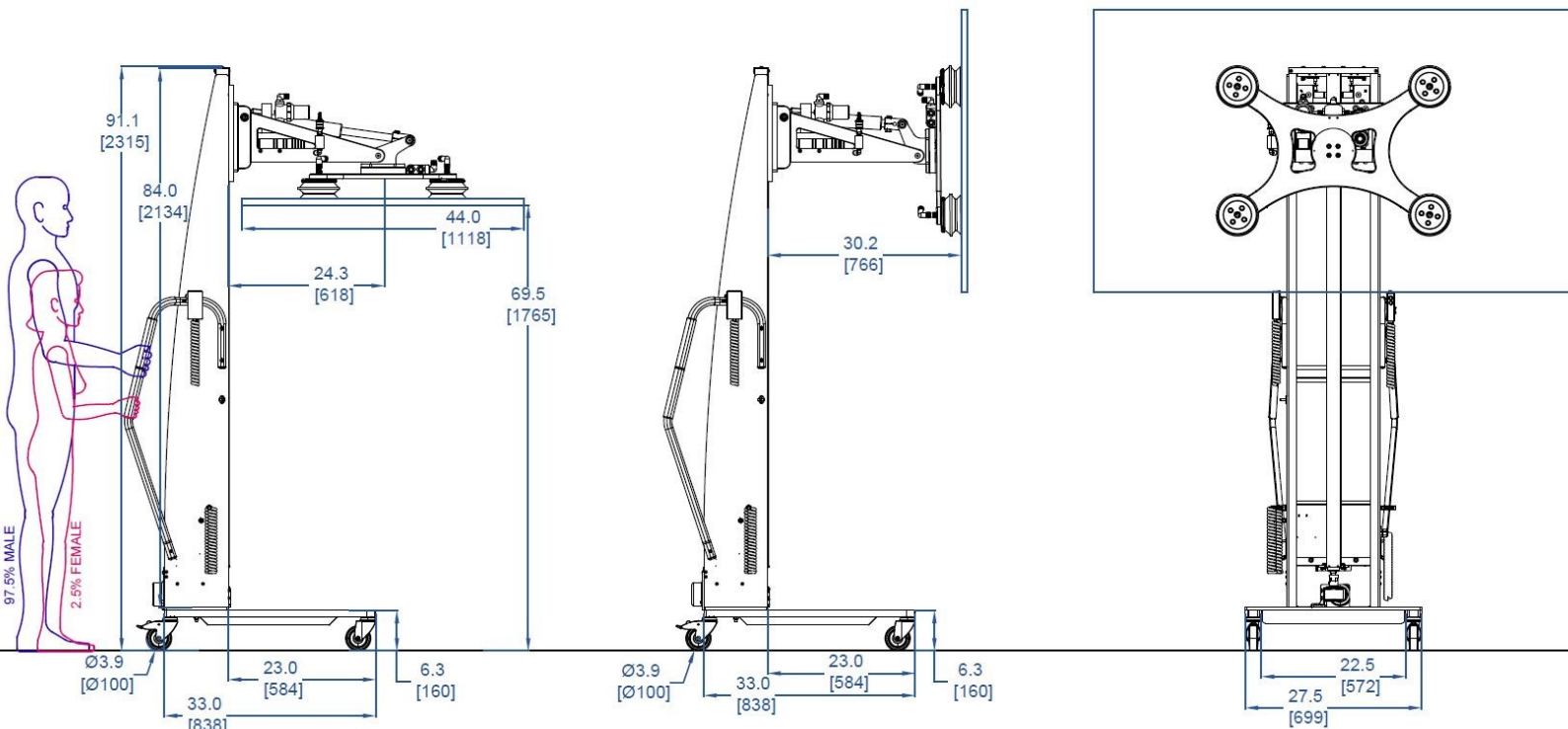


MODEL L200CS-84

FEATURING Vacuum Cups, 90° Powered Rotation

HANDLING 100 lb [45 kg] Plywood Sheets

DETAILS Handling wooden sheets of plywood is often a repetitive task that can present the risk of operator injury. This user-friendly, lightweight Alum-a-Lift makes the task effortless and can serve in multiple locations. The system may be equipped with either an onboard vacuum generator for metals and glass or a high-flow venturi pump, which uses a compressed air supply to generate a vacuum suitable for wood or other porous materials. The 90° forward rotation is useful to load panel saws, storage carts, or other process equipment.



alum-a-lift

13941 Veterans Memorial Hwy
Winston, GA 30187 USA
+1 770 489 0328

GET STARTED AT ALUM-A-LIFT.COM