

FEATURED ALUM-A-LIFT SELF-PROPELLED ROLL LIFTER AND UNWINDER

PROJECT 29559

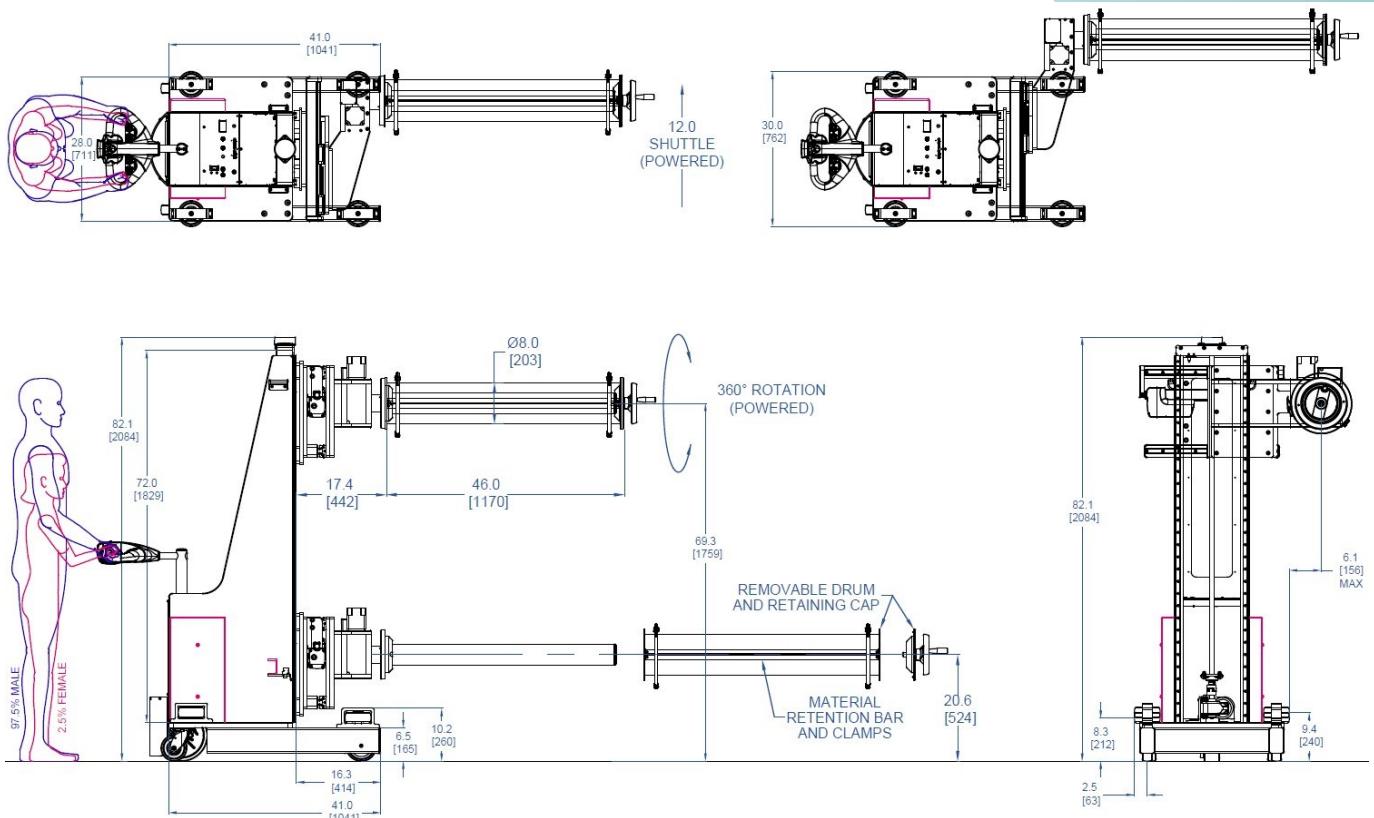


MODEL A800CLRPD-72

FEATURING Removeable Drum Assembly, Powered Rotation, 12" Lateral Shuttle, Safety Bumper Wheels

HANDLING 200 lb [91 kg] Rubber Strips

DETAILS This Alum-a-Lift is designed to operate on a mezzanine above a bowl-shaped composite mold with a diameter of 28 ft. First, large triangular pieces of rubber are cut and rolled onto the lift's removeable drum. The lift is then used to capture and raise the drum and can be driven to the correct position on the mezzanine with the lateral bumper wheels allowing the operator to drive right along the edge of the mold. A 12 in. shuttle positions the rubber over the edge of the mezzanine and the powered rotation module unrolls the material into the mold.



alum-a-lift

13941 Veterans Memorial Hwy
Winston, GA 30187 USA
+1 770 489 0328

GET STARTED AT ALUM-A-LIFT.COM