

FEATURED ALUM-A-LIFT FLAT SHIPPING CRATE HANDLING DEVICE AND ROTATOR

PROJECT 30400

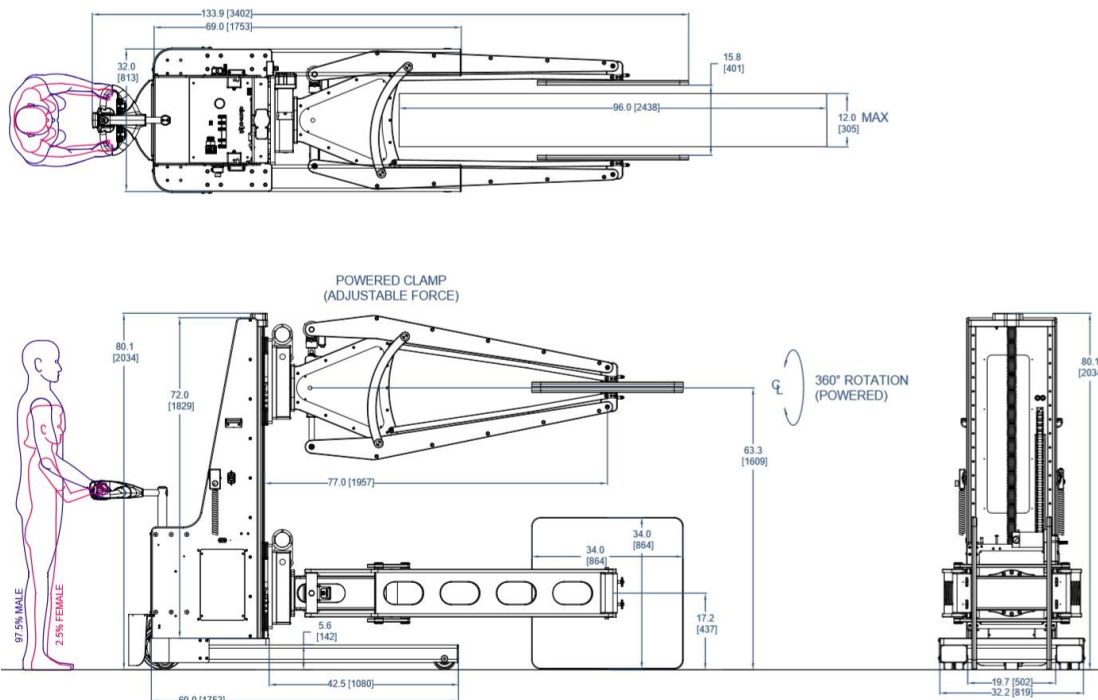
MODEL A2500CSLRPD-72

FEATURING Powered Rotating Clamp, Quick Exchange Clamp Pads, Removable Platform

HANDLING 500 lb [227 kg] Crates

DETAILS This Alum-a-Lift features a rotating, gripping arm with pads to lift and manipulate heavy, flat-crated material. This material handling equipment enables an operator to handle a crate up to 8 ft [2.4 m] X 8ft [2.4 m] either horizontally or vertically.

This unit was also equipped with a secondary load platform allowing a secondary use as a work surface and an ergonomic way to transport material.



alum-a-lift

13941 Veterans Memorial Hwy
Winston, GA 30187 USA
+1 770 489 0328

GET STARTED AT ALUM-A-LIFT.COM