

FEATURED ALUM-A-LIFT SPUTTERING TARGET LIFT AND CHAMBER LOADER

PROJECT 29728

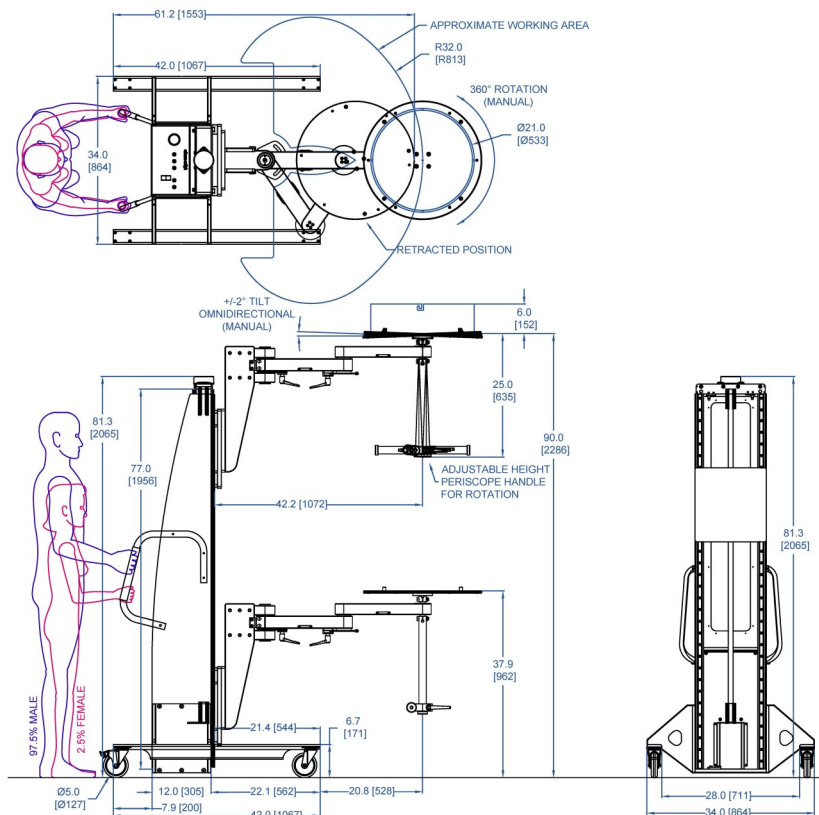


MODEL A800CLR-77

FEATURING Omni-directional Tilting and Swiveling Platform, Adjustable Height Periscope Handle, Two-Segment Articulated Arm, Low Profile Base

HANDLING 100 lb [45 kg] Canisters

DETAILS Optics manufacturing often involves placing components inside coating chambers. This Alum-a-Lift features a two-segment articulating arm with a tilting and swiveling platform. The periscope handle enables operators to install a canister filled with components into an overhead rack inside the coating chamber while keeping the controls at an ergonomic height. The low profile base allows for maximum lifting stroke while still being short enough to fit through a standard doorway.



alum-a-lift

13941 Veterans Memorial Hwy
Winston, GA 30187 USA
+1 770 489 0328

GET STARTED AT ALUM-A-LIFT.COM