

# FEATURED ALUM-A-LIFT MOBILE ELECTRIC LIFT WITH JIB ARM AND HOIST RING

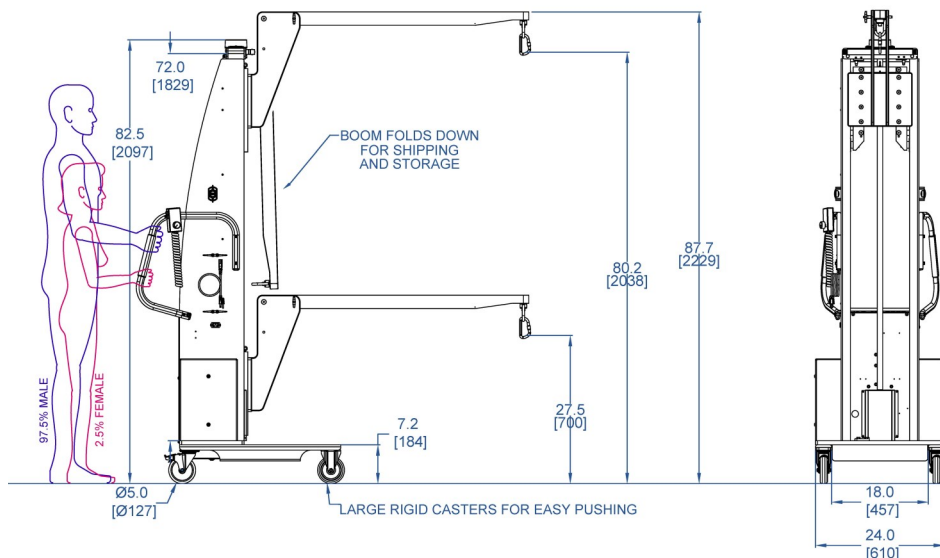
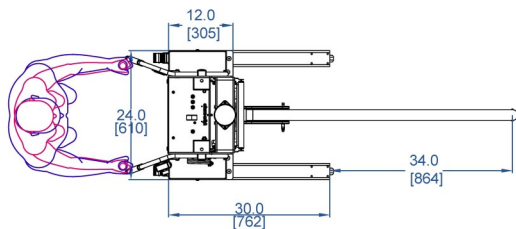
## PROJECT 29293

**MODEL** A800CS-72

**FEATURING** Extended Reach Arm, Load Rated Swiveling Hoist-Ring, AC Power Supply, CE and SEMI Conformity

**HANDLING** 175 lb [80 kg] Workstation Columns

**DETAILS** This useful lift can maneuver narrow aisles and reach into process equipment to remove critical service components. This portable ergonomic lift features an extended boom and integrated counterweight allowing loads to safely be handled beyond the footprint of the system. The boom features a load-rated swiveling hoist ring for maximum versatility with existing lifting fixtures, straps and slings. When not in use, the boom folds down for easy storage.



**alum-a-lift**

13941 Veterans Memorial Hwy  
Winston, GA 30187 USA  
+1 770 489 0328

GET STARTED AT [ALUM-A-LIFT.COM](http://ALUM-A-LIFT.COM)