

FEATURED ALUM-A-LIFT PLATFORM LIFT WITH FLIP-UP SAFETY FEATURE

PROJECT 29366

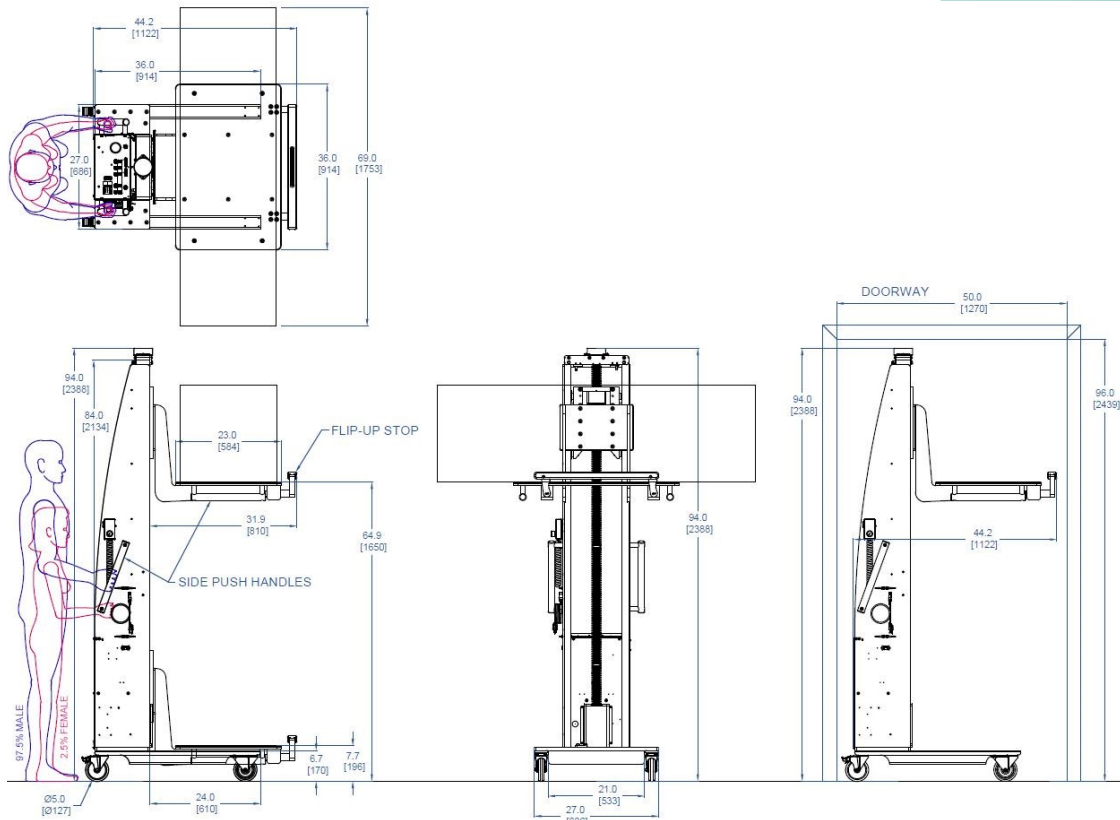


MODEL A800CS-84

FEATURING UHMW Platform, Flip-Up Safety Feature, Low Profile Handles

HANDLING 600 lb [272 kg] Boxes

DETAILS Aircraft manufacturers commonly store composite prepreg materials at cold temperatures before adding them to the aircraft body. This Alum-a-Lift was used to transport boxes of material out of a freezer so that they could then be cut to size. The boxes would frequently have frost on them, making them slippery. To prevent boxes sliding off the platform, a flip-up safety feature was added to the front of the UHMW platform. The safety feature could be lowered to allow boxes to slide on and off the platform and then raised up to retain the boxes.



alum-a-lift

13941 Veterans Memorial Hwy
Winston, GA 30187 USA
+1 770 489 0328

GET STARTED AT ALUM-A-LIFT.COM