

FEATURED ALUM-A-LIFT FILTER ASSEMBLY AND ADAPTOR PLATE LIFT

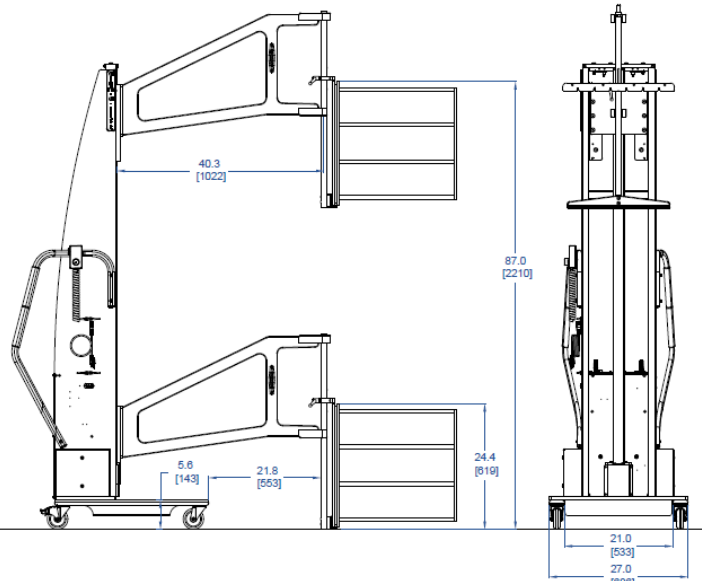
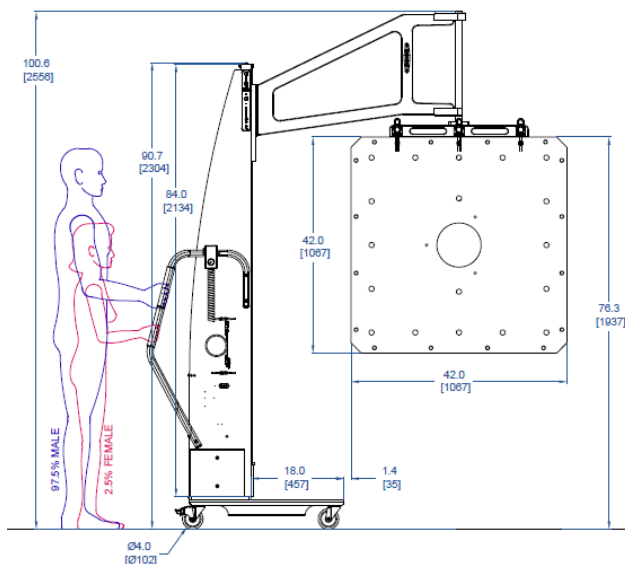
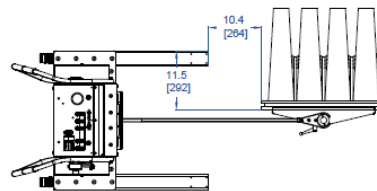
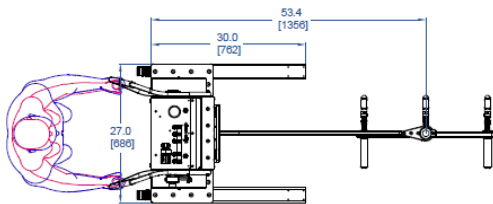
PROJECT 30013

MODEL B350CS-84

FEATURING Interchangeable Swiveling Lifting Fixtures, Fixed Arm with Extended Reach

HANDLING 75 lb [34 kg] Filters and Plates

DETAILS A filter manufacturer's research and development department utilizes a large tester with interchangeable adaptor plates for a variety of filter assemblies. The plates and some of the larger filters are too heavy to be positioned by hand, and available lifting points are limited due to potential interference with the tester during placement. A custom lifting fixture grips the upper edge of the plates, and a second fixture grips the outer edge of the large filter assemblies. The end-effector cradles the fixtures, allowing the plate or filter to be rotated into the correct orientation and placed in the tester.



alum-a-lift

13941 Veterans Memorial Hwy
Winston, GA 30187 USA
+1 770 489 0328

GET STARTED AT ALUM-A-LIFT.COM