

FEATURED ALUM-A-LIFT ROLLER DECK LIFT FOR RACKMOUNT COMPONENTS

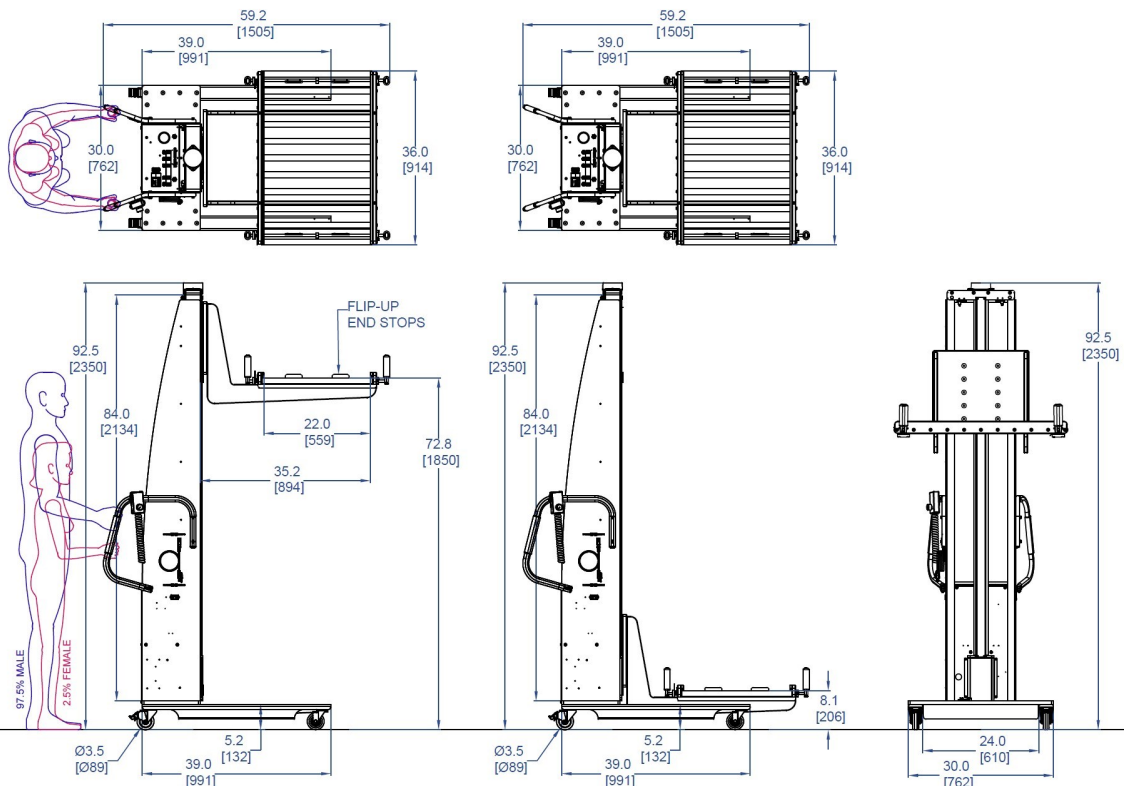
PROJECT 29472

MODEL A800CS-84

FEATURING Side-to-Side Roller Deck with Flip-Up End Stops

HANDLING 500 lb [227 kg] Servers

DETAILS There is a reason most computer hardware and server manufacturers prefer Alum-a-Lift. Prioritizing safety, ergonomics, and durability, this unit offers unparalleled value for datacenter usage. A low friction roller deck allows the heaviest rack mount components and UPS batteries to be installed by a single operator. Spring-loaded end-stops secure valuable components without relying on additional user actions. Alum-a-Lift routinely incorporates features such as tilt adjustment, overload sensing, powered drive wheels, side shifts, and hand tool storage to perfectly match each project's unique requirements.



alum-a-lift

13941 Veterans Memorial Hwy
Winston, GA 30187 USA
+1 770 489 0328

GET STARTED AT ALUM-A-LIFT.COM