

# FEATURED ALUM-A-LIFT POWERED ROTATING WORKSTATION FOR AVIONICS

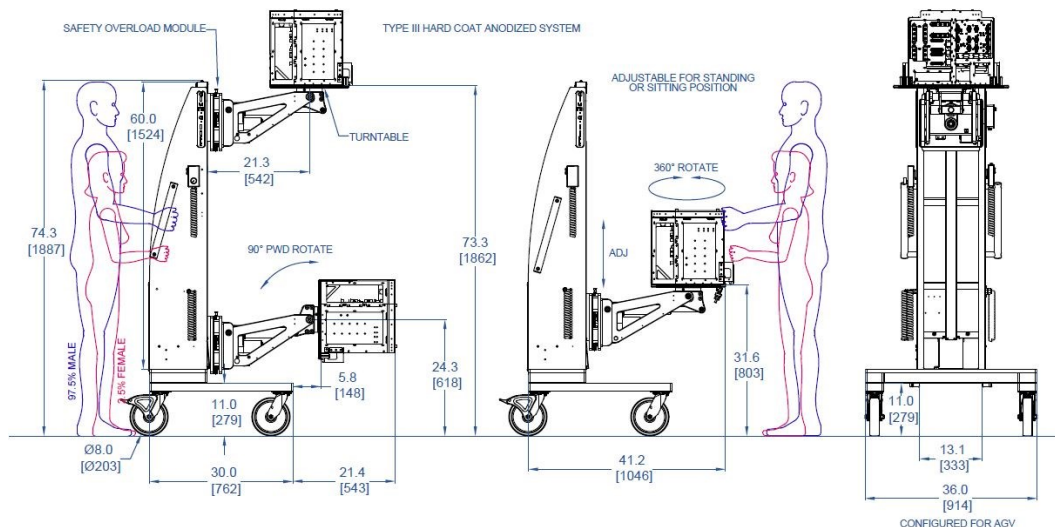
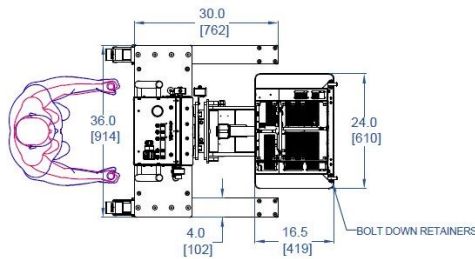
## PROJECT 27165

**MODEL** B350CS-60

**FEATURING** Non-marring Turntable, Powered Rotating Head, Safety Overload Module, AGV Interface

**HANDLING** 75 lb [34 kg] Avionic Power Modules

**DETAILS** Working on avionics is a common process in the aircraft and aerospace industries. This Alum-a-Lift serves as an ergonomic, height adjustable workstation with a built in turntable for easy access. Bolt down retainers are used to engage the handles or j-hooks. Powered 90 degree rotation allows the modules to be placed on and off a table, eliminating ergonomic concerns. The elevated base and large casters are configured for use with an AGV (automated guided vehicle) for seamless integration into an existing process. A type III hard coat anodized finish offers superior abrasion resistance.



**alum-a-lift**

13941 Veterans Memorial Hwy  
Winston, GA 30187 USA  
+1 770 489 0328

GET STARTED AT [ALUM-A-LIFT.COM](http://ALUM-A-LIFT.COM)